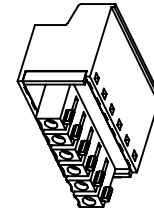
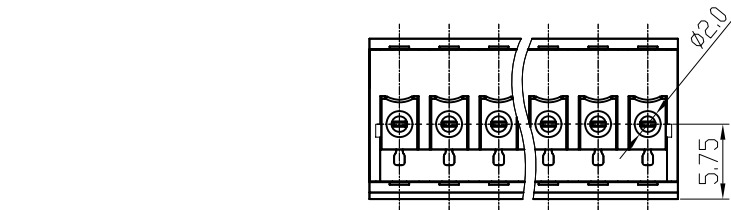


REVISION RECORD				
REV	ECD	DESCRIPTION	DRFT	DATE
△		增加UL, CE刻字	HD	10/20/09*

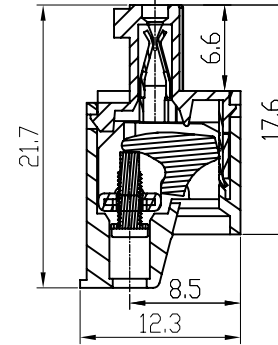
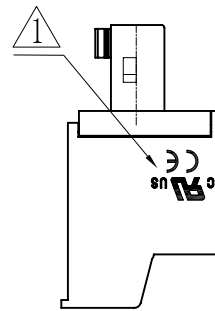
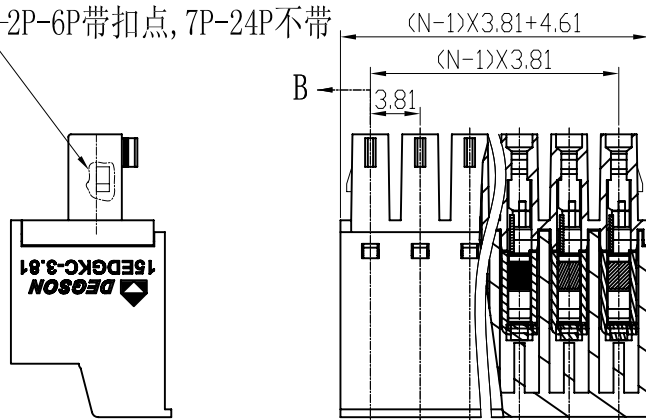
Notes:

- Pitch: 3.81mm, Poles: 2-24P
- Rated voltage/current: UL 300V/8A
IEC 160V/8A
- Operation temperatures: -40°C ~ +105°C
- Withstanding Voltage: AC2000V/1min
- Insulation Resistance: 5000MΩ/DC1000V
- Wire Range: 30~16AWG, 1.5mm²
- Max. Torque Value: M2.0, 2.04Kgf.cm
- Undimensioned Tolerances:

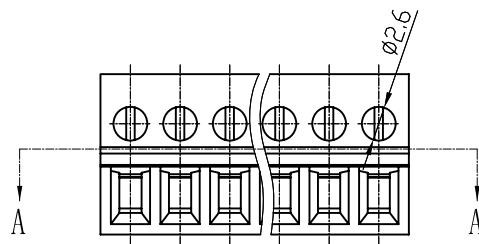
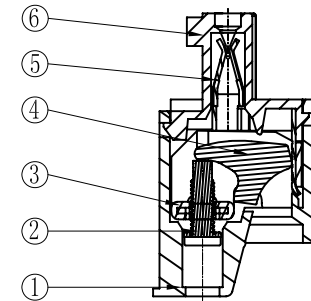
Pitch range in mm		Nominal dimension range in mm					
to 6	over 6 to 10	to 30	over 30 to 60	over 60 to 100	over 100 to 150	±	
±0.10	±0.15	±0.25	±0.2	±0.3	±0.5	±0.7	
						±1	
						0.05/0.10	



2P-6P带扣点, 7P-24P不带



Section B-B



ITEM	DESCRIPTION	PART NO.	QTY	MATERIAL	NOTES
6	15EDGKC-3.81-Cover	1176C0YXXA (H)	1	PA66	UL94V-0
5	15EDGKC-Clamp	1176B00010 (H)	XX	Phosphor bronze	SnCe plated
4	15EDGKC-Block	X000002040 (H)	XX	Steel	Cr ³⁺ Zn
3	15EDGKC-Cage	X000002030 (H)	XX	Steel	Cr ³⁺ Zn
2	15EDGKC-Screw-M2.0	S000002820 (H)	XX	Steel	Cr ³⁺ Zn

ITEM	NAME OF PART	NO. OF PART	Q'TY	MATERIAL	NOTES
1	15EDGKC-3.81-Body	1176A0YXXA (H)	1	PA66	UL94V-0

TOLERANCES EXCEPT AS NOTED MM .0 ± .00 ± .000 ±	DF TO Yangys CHKD MFD APPVL	DATE 03/08/07* DATE DATE DATE	宁波高正电子有限公司 DEGSON ELECTRONICS CO., LTD		
ANGLES ± 1° THIRD ANGLE PROJECTION	MATERIAL : G.E : FINISH:	NAME 15EDGKC-3.81-XXP-1Y-00A (H)			
SCALE : 1:1			DRAWING NO. 15EDGKC-3.81-E01 /PART NO.	SIZE A3	REV T1 10/20/09*