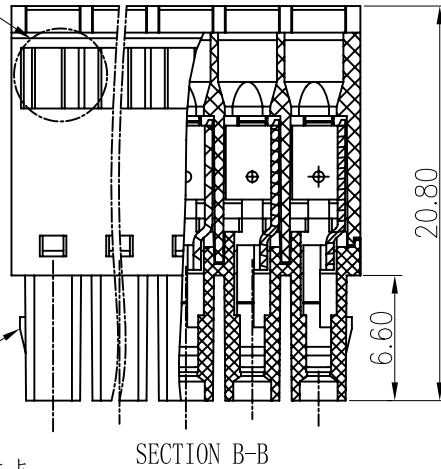


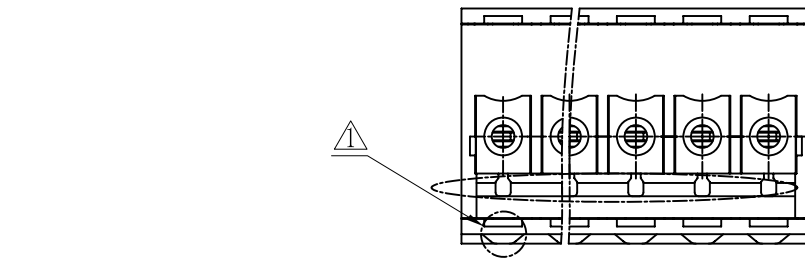
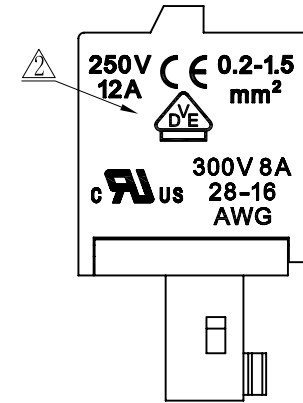
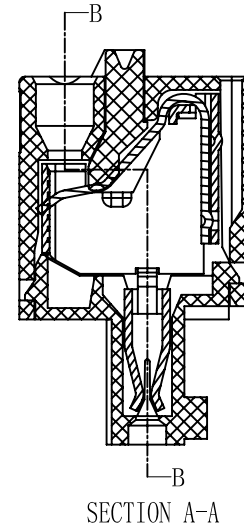
注:2-6P带卡点,7-24P,不带卡点



- Notes:
1. pitch:3.5mm poles:2-24p
 2. Rated voltage/current:UL 300V/8A
VDE 250V/12A
 3. Insulation Resistance:5000MΩ/DC1000V
 4. Withstanding voltage: AC2000V/1Min
 5. Wire range:28-16AWG 0.2-1.5mm²
 6. Temp. Range:-40° C~+105° C
 7. Undimensioned Tolerances:

REVISION RECORD				
REV	ECO	DESCRIPTION	DRFT	DATE
△	10-0260	避专利改外形	HD	06/28/10
△	10-0342	增加VDE刻字	Yi.Zeng	10/08/10

Pitch range in mm		Nominal dimension range					
to	over	to	over	over	over		
6	10	24	30	60	100	150	—
±0.10	±0.15	±0.25	±0.2	±0.3	±0.5	±0.7	±1.0



ITEM	DESCRIPTION	PART NO.	QTY	MATERIAL	NOTES
5	15EDGKD Spring	X00001310(H)	XX	Stainless steel	
4	15EDGKD Clamp	1088B00010(H)	XX	Phosphor bronze	Snce plated
3	15EDGKD Button	1088D0501A(H)	XX	PA66	UL94V-0
2	15EDGKD-3.5-Cover	1087C0YXXA(H)	1	PA66	UL94V-0

ITEM	NAME OF PART	NO. OF PART	Q"TY	MATERIAL	NOTES
1	15EDGKD-3.5-Housing	1087A0YXXA(H)	1	PA66	UL94V-0

MM (INCH)	DFTO Zhi/mm	DATE 07/18/08
TOLERANCES EXCEPT AS NOTED	CHKD	DATE
	MFO	DATE
	APPLV	DATE
MM	±	
.0 ±	±	
.00 ±	±	
.000 ±	±	
MATERIAL :		
G.E :		
FINISH :		
SCALE :		
THIRD ANGLE PROJECTION		

NAME		15EDGKD-3.5-XXP-1Y-00A(H)	
DRAWING NO.		15EDGKD-3.5-E01	SIZE A3
/PART NO.			REV T2
DO NOT SCALE DRAWING		SHEET 1	OF 1