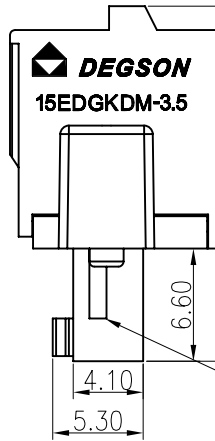
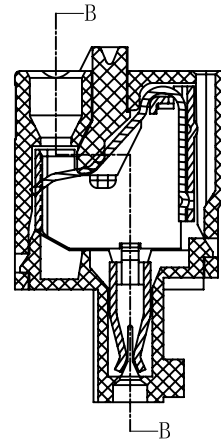
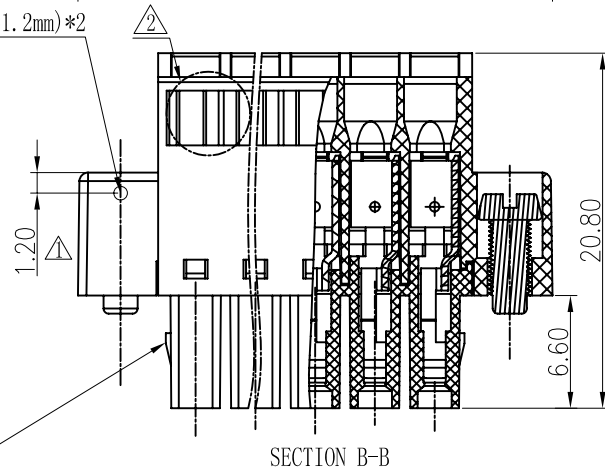


Drill hole
(Max $\varnothing 0.8 \times 1.2\text{mm}$)*2



注: 2-6P带卡点, 7-24P, 不带卡点



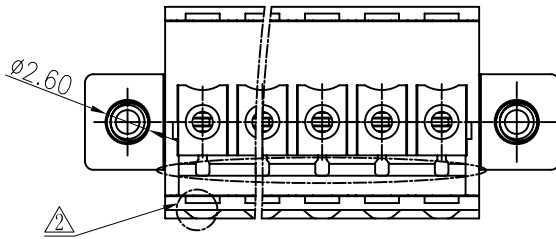
SECTION A-A

REVISION RECORD				
REV	ECO	DESCRIPTION	DRFT	DATE
△		更换螺丝, 增加防脱点位置标注	WLM	02/06/09*
△	10-0260	避专利改外形	HD	06/28/10*
△	10-0343	增加VDE刻字	Yi. Zeng	10/08/10*

Notes:

- Pitch: 3.5mm Poles: 2-20P
- Rated voltage/current: UL 300V/8A
VDE 250V/12A
- Operation temperatures: $-45^{\circ}\text{C} \sim +105^{\circ}\text{C}$
- Withstanding voltage: AC2000V/1Min
- Insulation Resistance: 5000M Ω /DC1000V
- Wire range: 28-16AWG, 0.2-1.5mm²
- Undimensioned Tolerances:

Pitch range in mm		Nominal dimension range in mm					
to	over	to	over	to	over	to	
6	10	6	10	30	60	100	150
6	10	10	24	30	60	100	150



ITEM	NAME OF PART	NO. OF PART	Q'TY	MATERIAL	NOTES
6	2EDGKa/B M2.5"- Screw	△ S00000980 (H)	2	Steel	Cr ³ Zn
5	15EDGKD Spring	X000001310 (H)	XX	Stainless steel	
4	15EDGKD Clamp	1088B00010 (H)	XX	Phosphor bronze	Snce plated
3	15EDGKD Button	1088D0501A (H)	XX	PA66	UL94V-0
2	15EDGKD-3.5-Cover	1087C0YXXA (H)	1	PA66	UL94V-0

ITEM	NAME OF PART	NO. OF PART	Q'TY	MATERIAL	NOTES
1	15EDGKDM-3.5-Housing	1101A0YXXA (H)	1	PA66	UL94V-0

MM (INCH)	DFTO Zhuom	DATE 07/18/08	宁波高正电子有限公司 DEGSON ELECTRONICS CO., LTD
TOLERANCES EXCEPT AS NOTED	CHKD	DATE	
	MFO	DATE	
	APPVL	DATE	
MM			NAME
.0 ±	±		15EDGKDM-3.5-XXP-1Y-00A(H)
.00 ±	±		DRAWING NO. 15EDGKDM-3.5-E01
.000 ±	±		/PART NO. 02
ANGLES ± 1°	G.E :		SIZE
	FINISH :		A3
THIRD ANGLE PROJECTION	SCALE :		REV T3
			10/08/10*
			DO NOT SCALE DRAWING
			SHEET 1 OF 1