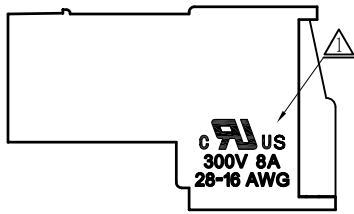
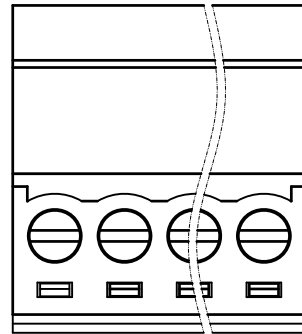


REVISION RECORD					
REV	ECO	DESCRIPTION	DRFT	DATE	
△	09-0135	增加UL刻字及UL参数	GHY	12-06-09	



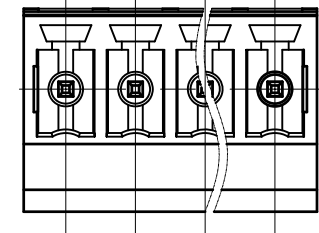
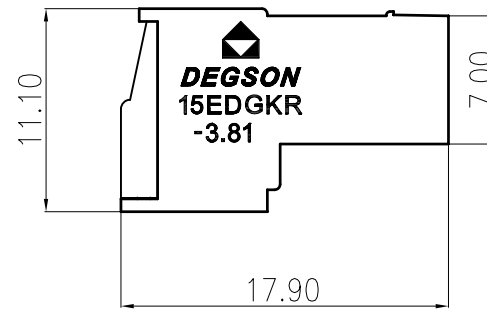
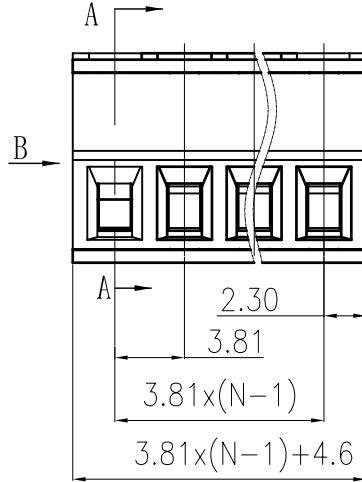
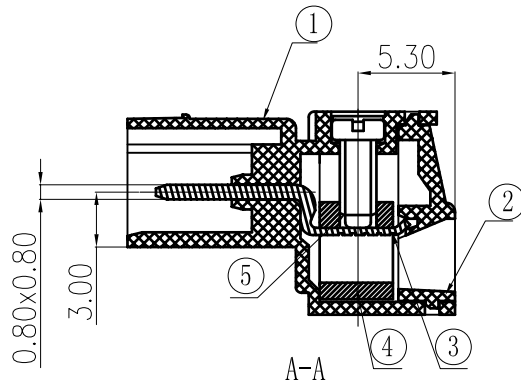
B 向



Notes:

- Pitch: 3.81mm poles: 2-16P
- Rated voltage/current: UL 300V/8A △
IEC 160V/8A
- Insulation resistance: 5000MΩ/DC1000V
- Withstanding voltage: AC2000V/1Min
- Wire range: 28-16AWG 1.5mm²
- Temp. Range: -40° C ~ +105° C
- Undimensioned Tolerances:

Pitch range in mm		Nominal dimension range in mm					
to 6	over 6 to 10	over 10 to 24	to 6 to 30	over 30 to 90	over 90 to 200	over 200 to 480	∩ ∇
±0.10	±0.15	±0.25	±0.1	±0.2	±0.3	±0.5 ±0.7	0.05/10



3	15EDGKR-Pin	1215B00010 (H)	XX	Copper	SnCe plated
2	15EDGK-3.81-Cover	1010COYXXA (H)	1	PA66	UL94V-0
1	15EDGKR-3.81-Housing	1215A0YXXA (H)	1	PA66	UL94V-0
ITEM	NAME OF PART	NO. OF PART	Q'TY	MATERIAL	NOTES

DETACHED LISTS	MM (INCH)	DFTO Zhuwm	DATE 12/14/07*	 宁波高正电子有限公司 DEGSON ELECTRONICS CO., LTD
	TOLERANCES EXCEPT AS NOTED	CHKD	DATE	
		MFO	DATE	
		APPVL	DATE	
		MATERIAL :		
	ANGLES ± 1°		G.E :	
	THIRD ANGLE PROJECTION		FINISH :	
			SCALE : 1:1	DO NOT SCALE DRAWING

5	15EDG-""Screws	S000001360 (H)	XX	Steel	Cr ³⁺ Zn
4	15EDG-Brass cage	X000000010 (H)	XX	Brass	Ni plated

H
G
F
E
D
C
B
A