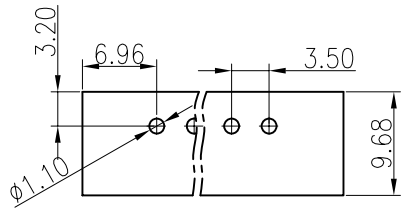
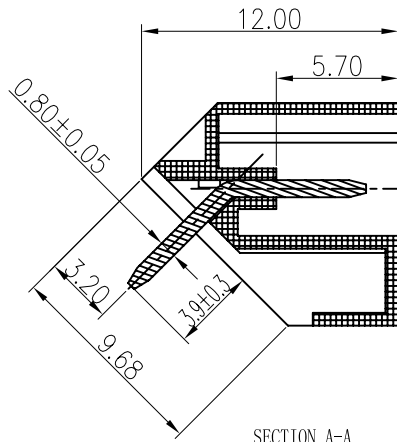
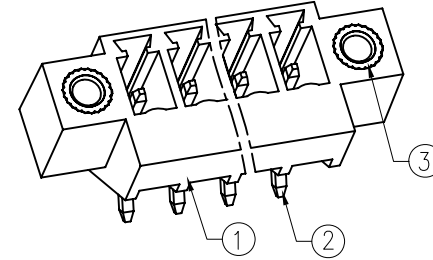
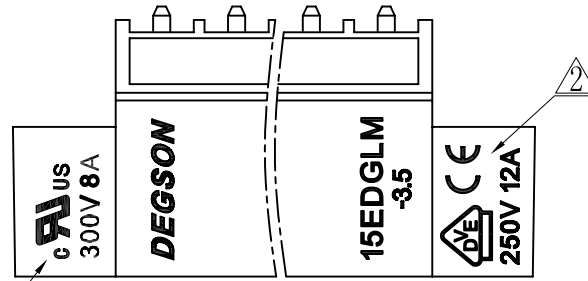


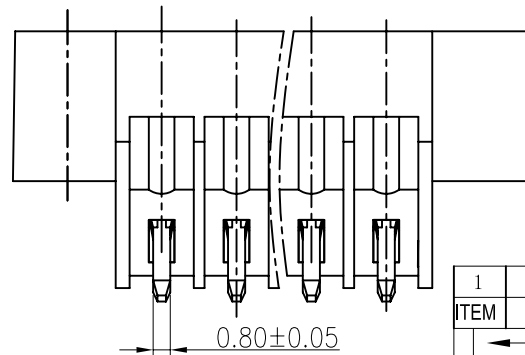
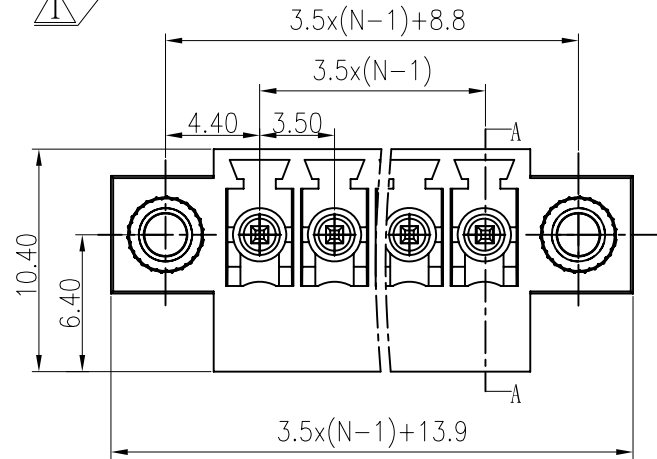
REVISION RECORD				
REV	ECO	DESCRIPTION	DRFT	DATE
△	10-0068	增加UL刻字	David.G	04/21/10
△	10-0352	增加VDE刻字	Yi.Zeng	10/15/10



PCB LAYOUT (REF)



SECTION A-A



Notes:

- Pitch: 3.5mm, poles:2-22p
- Rated voltage/current: UL 300V/8A
VDE 250V/12A
- Contact resistance: 20mΩ
- Withstanding voltage: AC2000V/1Min
- Insulation resistance:5000MΩ/1000V
- Temp. Range: -40° C~+105° C
- MAX Soldering: +250° C, for 5 Sec
- Undimensioned Tolerances:

Pitch range in mm	Nominal dimension range in mm							—
	over 6 to 6	over 10 to 10	over 10 to 24	over 30 to 30	over 60 to 60	over 100 to 100	over 150 to 150	
±0.10	±0.15	±0.25	±0.2	±0.3	±0.5	±0.7	±1.0	0.05/10

3	2EDG Cap	S00000040 (H)	2	Brass	
2	15EDGLC-3.81-Pin	1096B00010 (H)	XX	Brass	Snce plated

ITEM	NAME OF PART	NO. OF PART	Q'TY	MATERIAL	NOTES
1	15EDGLM-3.5 座	1099A0YXXA (H)	1	PA66	UL94V-0

DETTACHED LISTS	<table border="1"> <tr> <td>MM (INCH)</td> <td>DFTO Zhwm</td> <td>DATE 12/06/08</td> </tr> <tr> <td>TOLERANCES EXCEPT AS NOTED</td> <td>CHKD</td> <td>DATE</td> </tr> <tr> <td></td> <td>MFO</td> <td>DATE</td> </tr> <tr> <td>MM</td> <td>APPLV</td> <td>DATE</td> </tr> <tr> <td>.0 ±</td> <td></td> <td></td> </tr> <tr> <td>.00 ±</td> <td></td> <td></td> </tr> <tr> <td>.000 ±</td> <td></td> <td></td> </tr> </table>	MM (INCH)	DFTO Zhwm	DATE 12/06/08	TOLERANCES EXCEPT AS NOTED	CHKD	DATE		MFO	DATE	MM	APPLV	DATE	.0 ±			.00 ±			.000 ±			宁波高正电子有限公司 DEGSON ELECTRONICS CO., LTD NAME 15EDGLM-3.5-XXP-1Y-00A (H) DRAWING NO. 15EDGLM-3.5-E01 /PART NO. DO NOT SCALE DRAWING SHEET 1 OF 1
MM (INCH)	DFTO Zhwm	DATE 12/06/08																					
TOLERANCES EXCEPT AS NOTED	CHKD	DATE																					
	MFO	DATE																					
MM	APPLV	DATE																					
.0 ±																							
.00 ±																							
.000 ±																							