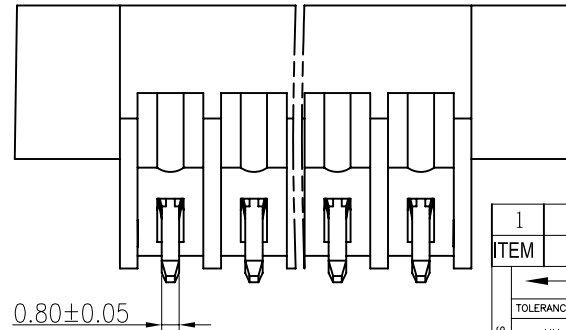
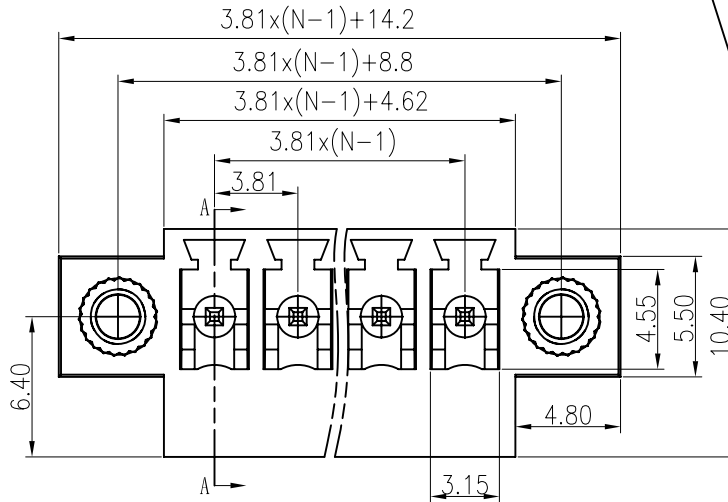
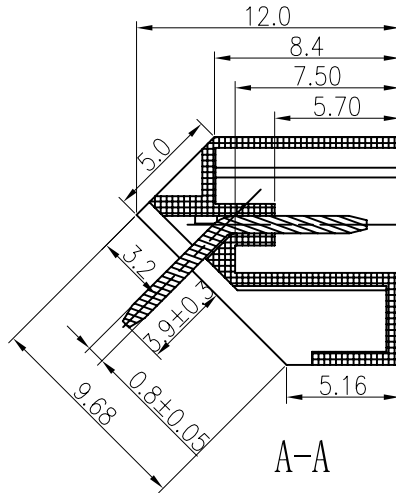
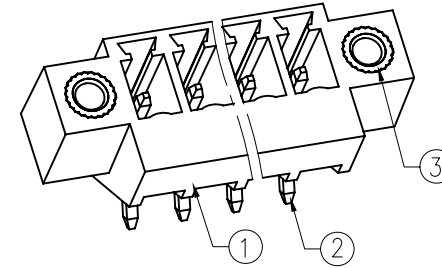
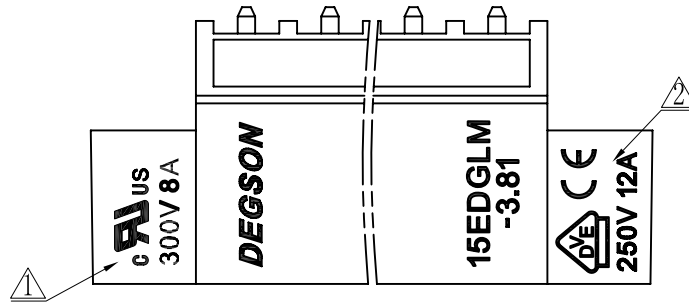
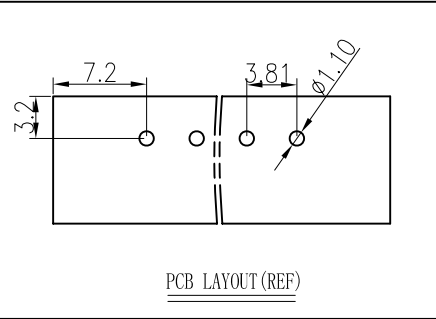


REVISION RECORD				
REV	ECO	DESCRIPTION	DRFT	DATE
△	10-0069	增加UL刻字	GHY	04/10/10
△	10-0349	增加VDE刻字	Yi. Zeng	10/13/10



Notes:

- Pitch: 3.81mm, poles:2-24p
- Rated voltage/current: UL 300V/8A
VDE 250V/12A
- Contact resistance: 20mΩ
- Withstanding voltage: AC1500V/1Min
- Insulation resistance:5000MΩ/1000V
- Temp. Range: -40° C~+105° C
- MAX Soldering: +250° C, for 5 Sec
- Undimensioned Tolerances:

Pitch range in mm		Nominal dimension range in mm					
to 6	over 6 to 10	over 10 to 24	over 30 to 60	over 60 to 100	over 100 to 150	over 150	∩ □
±0.10	±0.15	±0.25	±0.2	±0.3	±0.5	±0.7	±1.0

3	2EDG Cap	S00000040 (H)	2	Brass	
2	15EDGLC-3.81-Pin	1096B00010 (H)	XX	Brass	Snce plated

ITEM	NAME OF PART	NO. OF PART	Q"TY	MATERIAL	NOTES												
1	15EDGLM-3.81 Housing	1098A0YXXA (H)	1	PA66	UL94V-0												
<table border="1"> <tr> <td>MM (INCH)</td> <td>DFTO Zhurmm</td> <td>DATE 01/22/08"</td> </tr> <tr> <td>TOLERANCES EXCEPT AS NOTED</td> <td>CHKD</td> <td>DATE</td> </tr> <tr> <td></td> <td>MFO</td> <td>DATE</td> </tr> <tr> <td></td> <td>APPVL</td> <td>DATE</td> </tr> </table>		MM (INCH)	DFTO Zhurmm	DATE 01/22/08"	TOLERANCES EXCEPT AS NOTED	CHKD	DATE		MFO	DATE		APPVL	DATE	宁波高正电子有限公司 DEGSON ELECTRONICS CO., LTD			
MM (INCH)	DFTO Zhurmm	DATE 01/22/08"															
TOLERANCES EXCEPT AS NOTED	CHKD	DATE															
	MFO	DATE															
	APPVL	DATE															
<table border="1"> <tr> <td>MM</td> <td>±</td> </tr> <tr> <td>.0 ±</td> <td>±</td> </tr> <tr> <td>.00 ±</td> <td>±</td> </tr> <tr> <td>.000 ±</td> <td>±</td> </tr> </table>		MM	±	.0 ±	±	.00 ±	±	.000 ±	±	NAME 15EDGLM-3.81-XXP-1Y-00A (H)							
MM	±																
.0 ±	±																
.00 ±	±																
.000 ±	±																
ANGLES ± 1°		G.E :		DRAWING NO. 15EDGLM-3.81-E01 /PART NO.													
		FINISH :		SIZE A3													
THIRD ANGLE PROJECTION		SCALE :		REV T2 10/13/10													
DO NOT SCALE DRAWING			SHEET 1 OF 1														