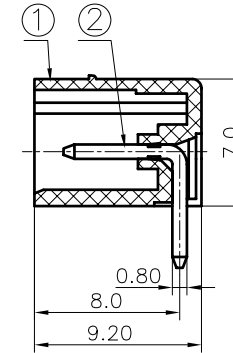
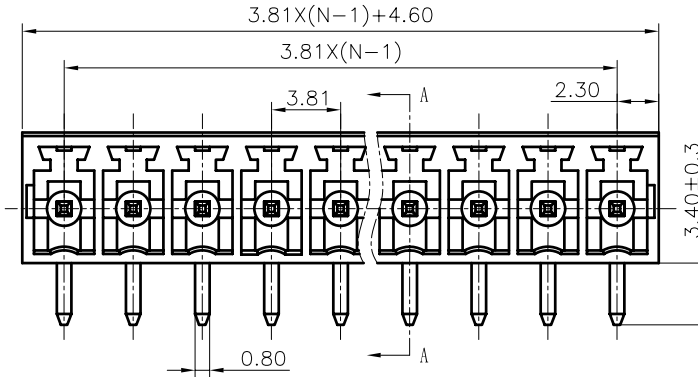
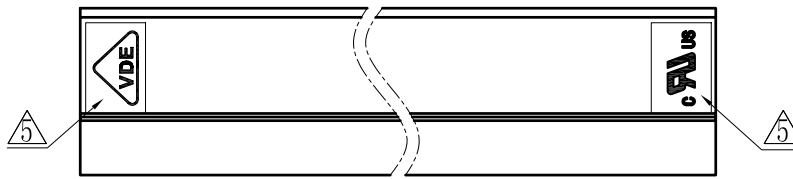
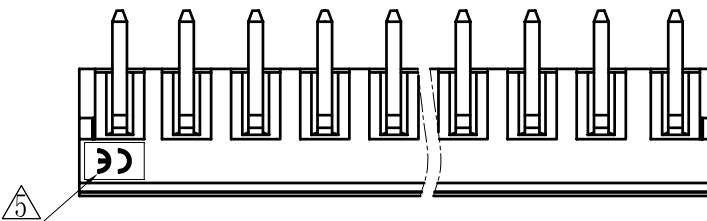
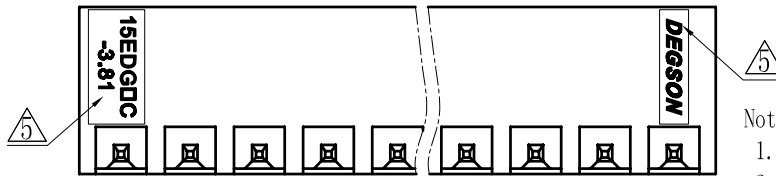


| REVISION RECORD | | | | |
|-----------------|-----|------------------|-------|----------|
| REV | ECO | DESCRIPTION | DRFT | DATE |
| 1 | | 去掉UL中的小“R”字 | CSX | 09/17/07 |
| 2 | | 更新图面 | LJH | 03/01/08 |
| 3 | | 老模新开更改刻字 | WLM | 07/12/08 |
| 4 | | 增加自动化方针 | WLM | 10/31/08 |
| 5 | | 增加VDE, CE刻字及修改刻字 | Zengy | 12/26/08 |
| 6 | | 工程变更2-6P取消卡槽 | XGF | 04/11/09 |



SECTION A-A



Notes:

1. Pitch: 3.81mm, Poles: 2-24P
2. Rated voltage/current: UL 300V/8A
VDE 250V/7A
3. Operation temperatures: -40°C ~ +105°C
4. Withstanding Voltage: AC2000V/1Min
5. Insulation Resistance: 5000MΩ/DC1000V
6. Undimensioned Tolerances:

| Pitch range in mm | | Nominal dimension range in mm | | | | | |
|-------------------|-------|-------------------------------|------|------|------|---------|--|
| to | over | to | over | over | over | | |
| 6 | 10 | 10 | 30 | 60 | 100 | 150 | |
| 6 | 10 | 24 | 30 | 60 | 100 | 150 | |
| ±0.10 | ±0.15 | ±0.25 | ±0.2 | ±0.3 | ±0.5 | ±0.7 | |
| | | | | | | ±1.0 | |
| | | | | | | 0.05/10 | |

| | | | | | |
|---|--------------------|----------------|----|-------|--------------------|
| 2 | 15EDGRC-Pin header | 1003B00040 (H) | XX | Brass | Automatic assembly |
| 2 | 15EDGRC-Pin header | 1003B00010 (H) | XX | Brass | Manual assembly |

| ITEM | NAME OF PART | NO. OF PART | Q"TY | MATERIAL | NOTES |
|----------------------------|----------------------|----------------------|----------------|---|---------|
| 1 | 15EDGRC-3.81-Housing | 1003A0VXXA (H) | 1 | PA66 | UL94V-0 |
| TOLERANCES EXCEPT AS NOTED | | DFTO LIN | DATE 05/19/06* | 宁波高正电子有限公司 DEGSON ELECTRONICS CO., LTD | |
| MM (INCH) | | CHKD | DATE | | |
| .0 ± | | MFO | DATE | | |
| .00 ± | | APPVL | DATE | | |
| .000 ± | | MATERIAL : | | NAME | |
| ANGLES ± 1° | | G.E : | | 15EDGRC-3.81-XXP-1Y-00A(H) | |
| THIRD ANGLE PROJECTION | | FINISH : | | DRAWING NO. 15EDGRC-3.81-E02 | |
| | | SCALE : 1:1 | | /PART NO. | |
| | | DO NOT SCALE DRAWING | | SIZE A3 | |
| | | SHEET 1 | | REV T6 | |
| | | OF 1 | | 04/11/09* | |