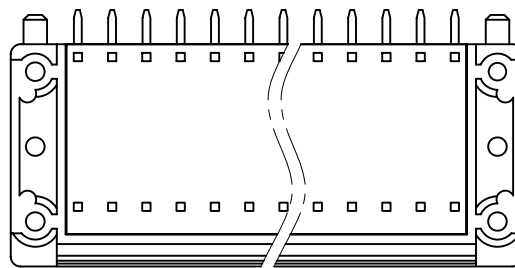
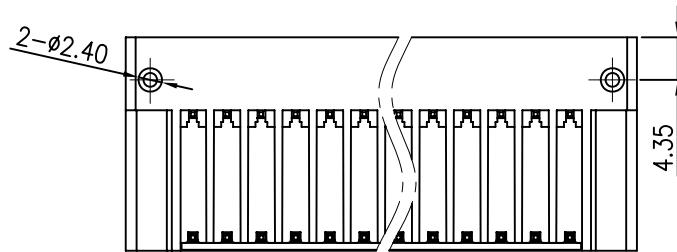
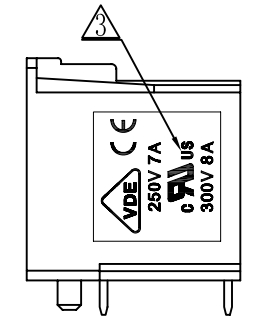
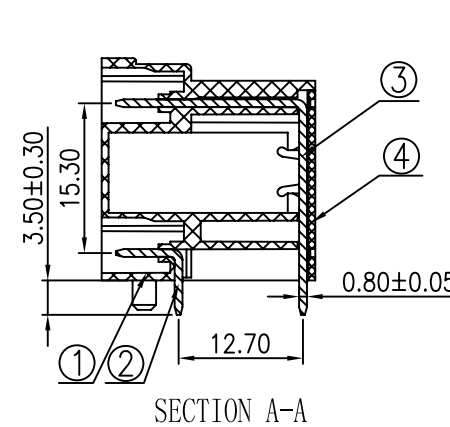
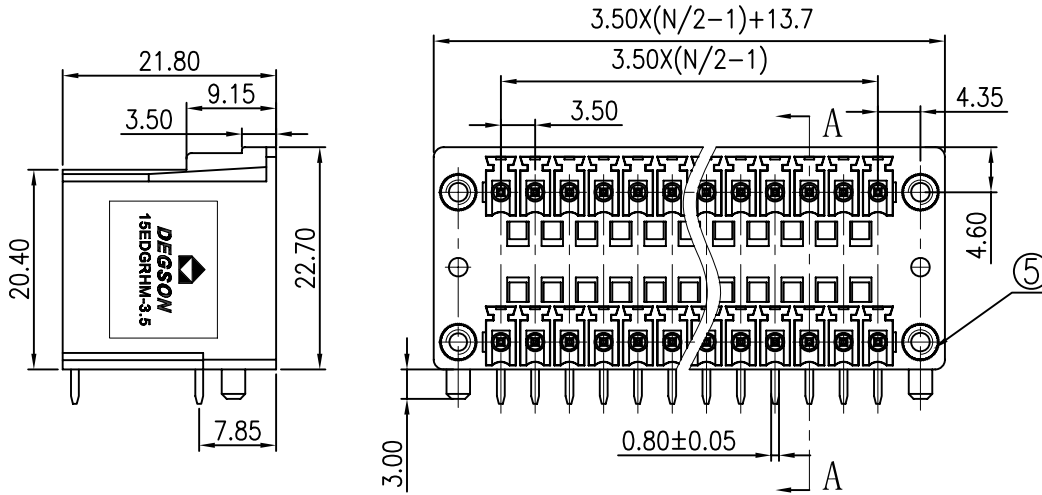


REVISION RECORD				
REV	ECD	DESCRIPTION	DRFT	DATE
△		品名、料号增加环保标示“(H)”	LJH	12/11/07*
△		增加UL, CE刻字	Zengy	09/03/08*
△		增加VDE及参数刻字	LJH	02/10/09*



Notes:

- Pitch: 3.5mm, Poles: 4-48P
- Rated voltage/current: UL 300V/8A  
VDE 250V/7A
- Operation temperatures: -40°C ~ +105°C
- Withstanding Voltage: AC2000V/1min
- Insulation Resistance: 5000MΩ / DC1000V
- Undimensioned Tolerances:

Pitch range in mm		Nominal dimension range in mm					
to	over	to	over	to	over	to	
6	10	10	30	60	100	150	∅
±0.10	±0.15	±0.25	±0.2	±0.3	±0.5	±0.7	±1.0
							0.05/10

5	2EDG-Screw cap	S000000040 (H)	4	Brass	
4	15EDGV/RH-Cover	1063C0YXXA (H)	1	PA66	UL94V-0
3	15EDGRH-Pin	1063B00020 (H)	XX/2	Brass	SeCn plated

2	15EDGRC-Pin	1003B00010 (H)	XX/2	Brass	SeCn plated
1	15EDGRHM-Housing	1079A0YXXA (H)	1	PA66	UL94V-0
ITEM	NAME OF PART	NO. OF PART	Q'TY	MATERIAL	NOTES

DETACHED LISTS	MM (INCH)	DFTD LYK	DATE 11/16/06*	宁波高正电子有限公司 DEGSON ELECTRONICS CO., LTD		
	TOLERANCES EXCEPT AS NOTED	CHKD	DATE			
		MFD	DATE			
		APPVL	DATE			
	MM			NAME 15EDGRHM-3.5-XXP-1Y-00A (H)		
	.00 ±	±				
	.000 ±	±		DRAWING NO. 15EDGRHM-3.5-E01	SIZE A3	REV T3
	ANGLES ± 1°	CHKD		/PART NO.		02/10/09*
	THIRD ANGLE PROJECTION	FINISH		DO NOT SCALE DRAWING	SHEET 1	OF 1
		SCALE: 1:1				