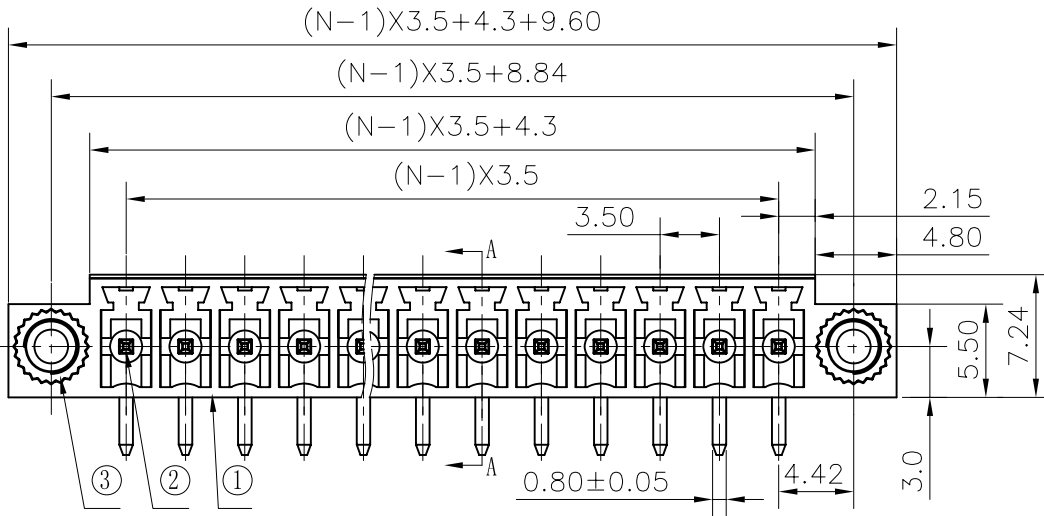
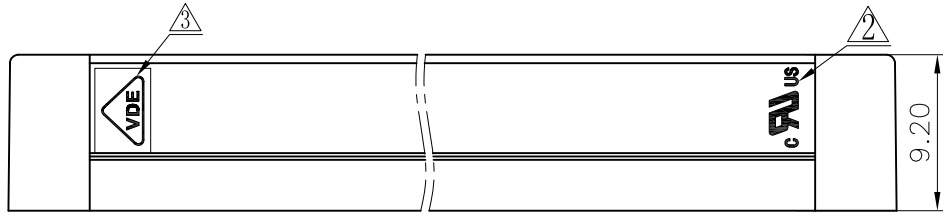
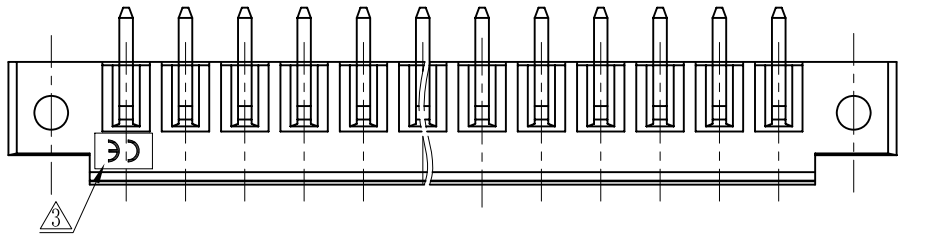


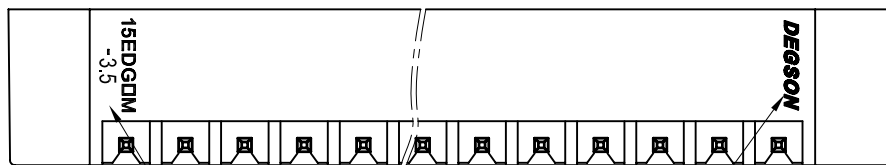
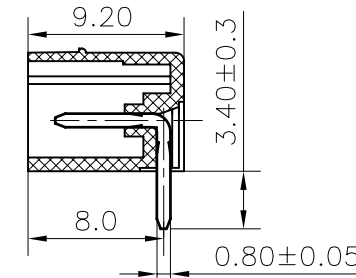
REVISION RECORD					
REV	ECO	DESCRIPTION	DRFT	DATE	
△		Drawing emend	Home	04/07/06*	
△		增加商标、品名、UL刻字	WLM	08/06/08*	
△		增加VDE, CE刻字	Zengy	01/15/09*	



Notes:

1. Pitch: 3.5mm poles:2-24p
2. Rated voltage/current: UL 300V/8A
VDE 250V/7A
3. Operation temperatures: $-40^{\circ}C \sim +105^{\circ}C$
4. Withstanding voltage: AC2000V/1Min
5. Insulation resistance: $5000M\Omega/DC1000V$
6. Undimensioned Tolerances:

Pitch range in mm		Nominal dimension range in mm						—	
to	over	to	over	to	over	to	over	to	over
6	6	10	10	30	30	60	60	100	100
10	10	24	24	30	30	60	60	150	150
± 0.10	± 0.15	± 0.25	± 0.25	± 0.2	± 0.3	± 0.5	± 0.7	± 1.0	$0.05/10$



3	2EDG-screw cap	S00000040 (H)	2	brass	
2	15EDGRC Pin header	1003B00010 (H)	XX	brass	SnCe

ITEM	NAME OF PART	NO. OF PART	Q"TY	MATERIAL	NOTES												
1	15EDGVM-3.5 Housing	1040A0YXXA (H)	1	PA66	UL94V-0												
<table border="1"> <tr> <td>MM (INCH)</td> <td>DFTO: Zhuwm</td> <td>DATE: 01/24/05*</td> </tr> <tr> <td>TOLERANCES EXCEPT AS NOTED</td> <td>CHKD:</td> <td>DATE:</td> </tr> <tr> <td></td> <td>MFO:</td> <td>DATE:</td> </tr> <tr> <td></td> <td>APPVL:</td> <td>DATE:</td> </tr> </table>		MM (INCH)	DFTO: Zhuwm	DATE: 01/24/05*	TOLERANCES EXCEPT AS NOTED	CHKD:	DATE:		MFO:	DATE:		APPVL:	DATE:	宁波高正电子有限公司 DEGSON ELECTRONICS CO., LTD			
MM (INCH)	DFTO: Zhuwm	DATE: 01/24/05*															
TOLERANCES EXCEPT AS NOTED	CHKD:	DATE:															
	MFO:	DATE:															
	APPVL:	DATE:															
DETACHED LISTS		NAME: 15EDGRM-3.5-XXP-1Y-00A(H)															
ANGLES $\pm 1^{\circ}$		DRAWING NO. 15EDGRM-3.5-E01															
THIRD ANGLE PROJECTION		FINISH:		SCALE: 1:1	SHEET 1 OF 1												
		DO NOT SCALE DRAWING		REV T3 01/15/09*													