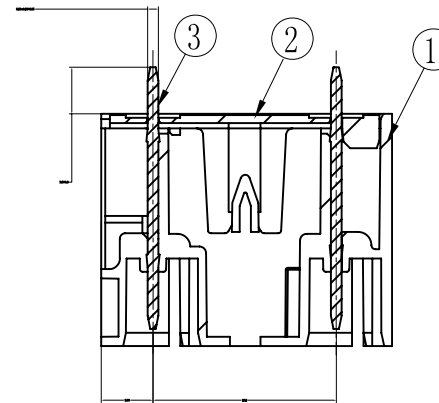
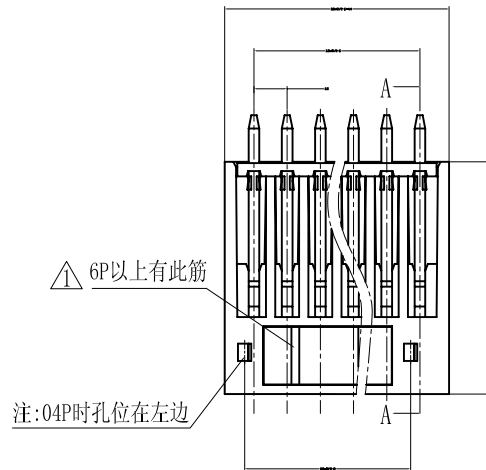
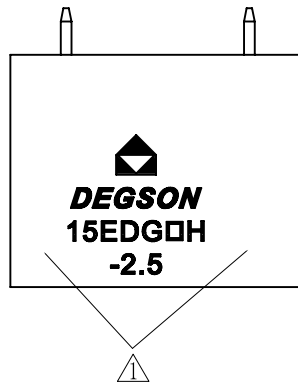
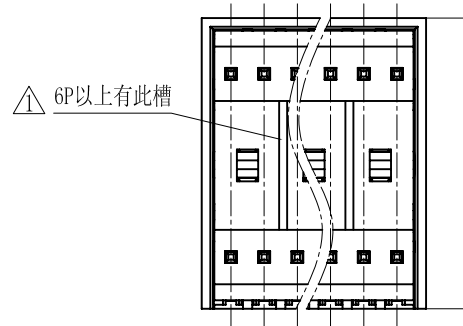


REVISION RECORD				
REV	ECD	DESCRIPTION	DRFT	DATE
△	10-0258	修改外观	Yi.Zeng	09/01/10*

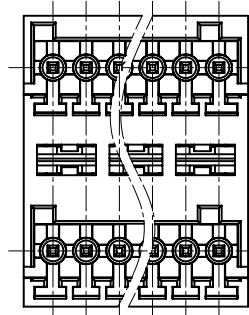
Notes:

1. Pitch:2.5, Poles:4-24P
2. Rated voltage/Current:UL1059 125V 4A  
IEC 100V 4A
3. Operation temperatures:-40℃~+105℃
4. Withstanding Voltage:AC1500V/1Min
5. Insulation Resistance:5000MΩ/DC1000V
6. Undimensioned Tolerances:

Pitch range in mm		Nominal dimension range in mm						—
to	over	over	over	over	over	over	∩	
6	6 to 10	10 to 24	30 to 30	60 to 60	100 to 100	150 to 150	∇	
±0.10	±0.15	±0.25	±0.2	±0.3	±0.5	±0.7	±1.0 0.05/10	



SECTION A-A



ITEM	NAME OF PART	NO. OF PART	Q'TY	MATERIAL	NOTES
3	15EDGVH Pin	1045B00020 (H)	XX	Brass	SnCe
2	15EDGV/RH Cover	1045C0YXXA (H)	1	PA66	UL94V-0
1	15EDGV/RH Housing	1045A0YXXA (H)	1	PA66	UL94V-0

DETACHED LISTS	MM (INCH)	DF TO LIN	DATE 08/09/07*	宁波高正电子有限公司 DEGSON ELECTRONICS CO., LTD
	TOLERANCES EXCEPT AS NOTED	CHKD	DATE	
		MFD	DATE	
		APPVL	DATE	
MM	±	MATERIAL :		NAME
.0 ±	±	G.E :		15EDGVH-2.5-XXP-1Y-00A (H)
.00 ±	±	FINISH:		DRAWING NO. 15EDGVH-2.5-E01
.000 ±	±	SCALE : 1:1		/PART NO.
ANGLES ± 1°	THIRD ANGLE PROJECTION		DD NDT SCALE DRAWING	SIZE A4
			SHEET 1	REV T1 09/01/10*
			OF 1	