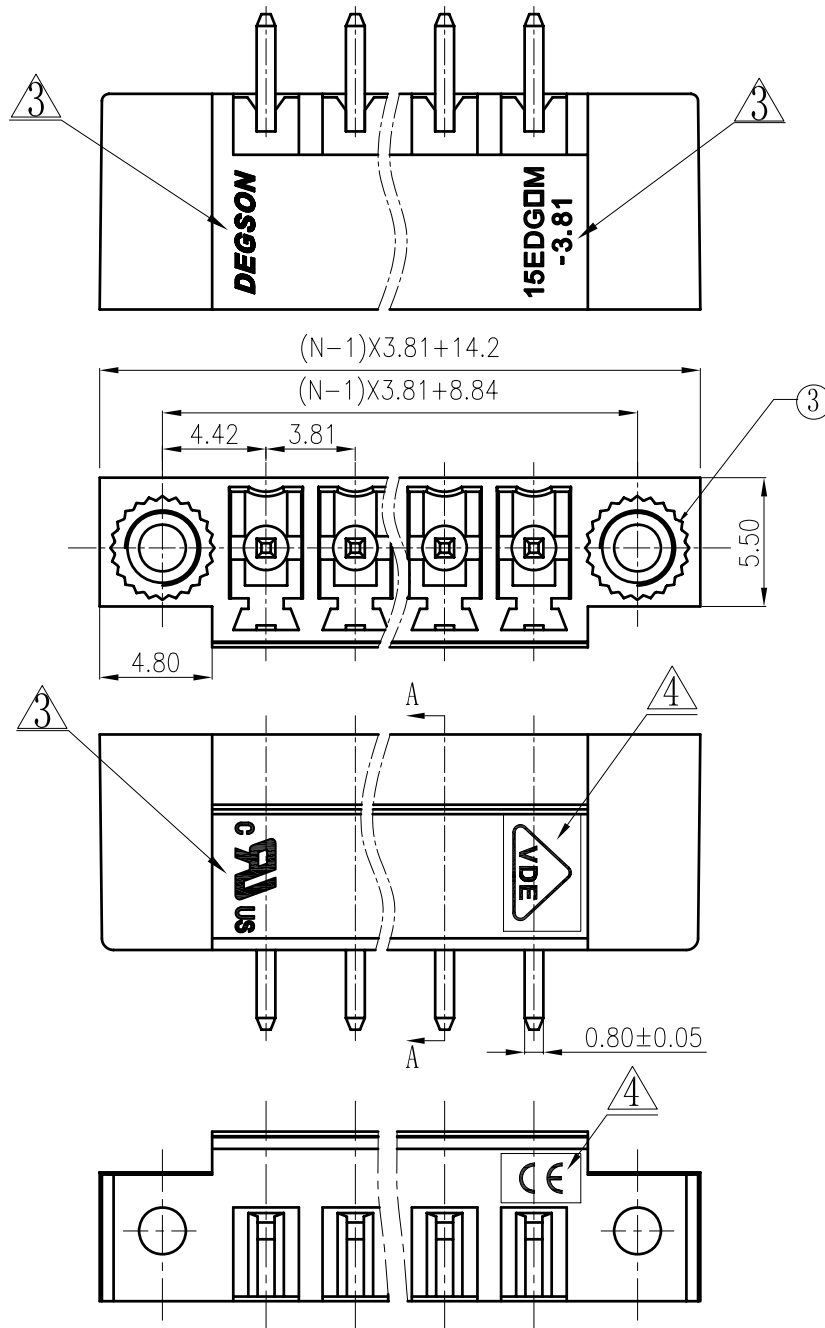


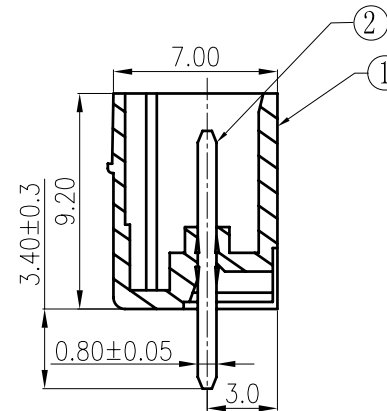
REVISION RECORD				
REV	ECO	DESCRIPTION	DRFT	DATE
△		Drawing emend	WF	04/07/06*
△		增加商标、品名、UL刻字	WLM	08/06/08*
△		增加VDE, CE刻字	Zengy	01/12/09*



Notes:

1. Pitch: 3.81mm poles:2-24p
2. Rated voltage/current: UL 300V/8A
VDE 250V/7A
3. Operation temperatures: -40° C ~ +105° C
4. Withstanding voltage: AC2000V/1min
5. Insulation resistance: 5000MΩ/DC1000V
6. Undimensioned Tolerances:

Pitch range in mm		Nominal dimension range in mm										
to	over	to	over	to	over	to	over					
6	6	10	10	30	30	60	60	100	100	150	150	∩
±0.10	±0.15	±0.25	±0.2	±0.3	±0.5	±0.7	±1.0	0.05/10				∩



3	2EDG screw cap	S00000040 (H)	2	Brass	
2	15EDGVC Pin header	1002B00010 (H)	XX	Brass	SnCe
1	15EDGV (R) M-3.81-Housing	1004A0YXXA (H)	1	PA66	UL94V-0
ITEM	NAME OF PART	NO. OF PART	Q"TY	MATERIAL	NOTES

DETACHED LISTS	MM (INCH)	DFTO DZJ	DATE 09/15/05*	宁波高正电子有限公司 DEGSON ELECTRONICS CO., LTD	
	TOLERANCES EXCEPT AS NOTED	CHKD	DATE		
		MFO	DATE		
		APPVL	DATE		
	MM	±		MATERIAL :	
	.0 ±	±		G.E :	
	.00 ±	±		FINISH :	
	.000 ±	±		SCALE : 1:1	
	ANGLES ± 1°			DO NOT SCALE DRAWING	
	THIRD ANGLE PROJECTION			SHEET 1 OF 1	
				NAME	15EDGVM-3.81-XXP-1Y-00A (H)
				DRAWING NO.	15EDGVM-3.81-E02
				SIZE	A3
				REV	T4
				DATE	01/12/09*