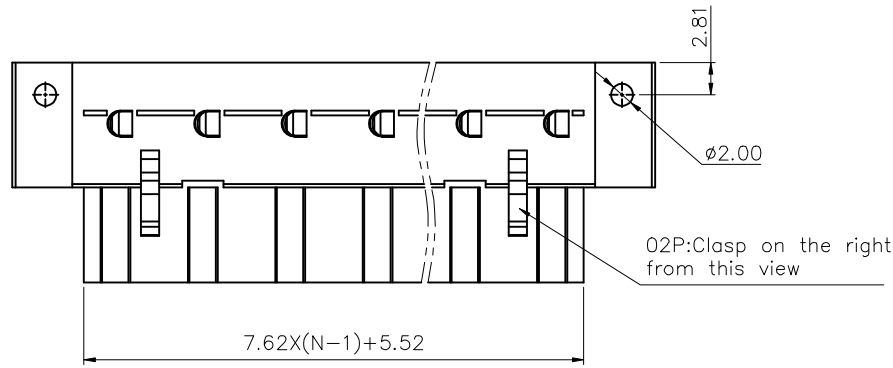


| REVISION RECORD | | | | |
|-----------------|-----|-------------|------|------|
| REV | ECN | DESCRIPTION | DRFT | DATE |
| | | | | |



NOTES1:
 UL Standard
 1. Rated voltage/current : 300V / 15A
 2. Withstanding voltage : AC1600V/1Min.
 IEC Standard

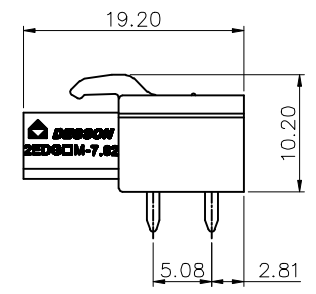
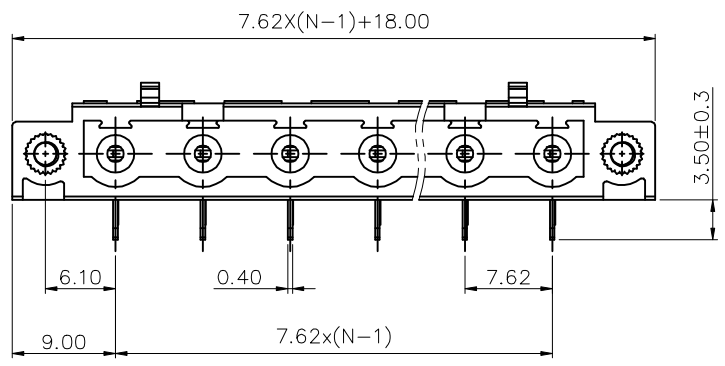
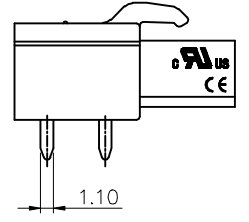
1.

| | |
|--------------------------|-------|
| Pollution degree | 2 |
| Overvoltage category | III |
| Rate impulse voltage(KV) | 4.0KV |
| Rate voltage(V) | 400V |
| Rate current(A) | 20A |

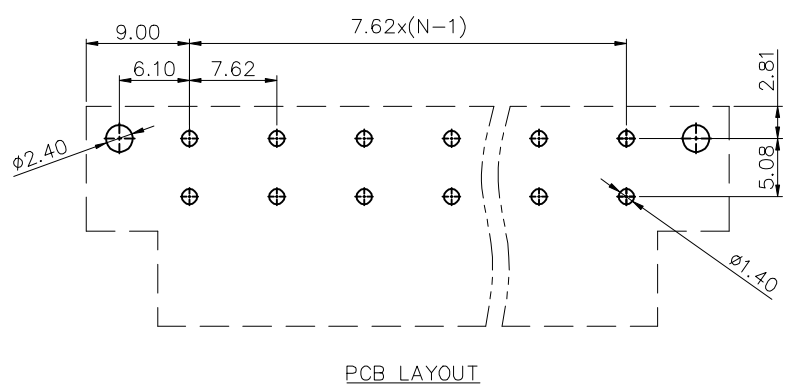
NOTES2:
 1. Dimension shall be interpreted per ASME Y14.5-2009
 2. Pitch : 7.62mm, Poles : N=02~16P
 3. Operating temperature : -40°C~+105°C
 4. Undimensioned tolerances:

| Pitch Range In mm | Nominal Dimension Range In mm | | | | | | | Tolerance |
|-------------------|-------------------------------|---------------|---------------|----------------|-----------------|----------|--------|-----------|
| | Over 6 TO 10 | Over 10 TO 24 | Over 30 TO 60 | Over 60 TO 100 | Over 100 TO 150 | Over 150 | 0.1/10 | |
| ±0.15 | ±0.20 | ±0.30 | ±0.30 | ±0.50 | ±0.70 | ±1.00 | ±1.30 | ±2' |

5. RoHS Compliance



2EDGAM - 7.62 - XXP - 1Y - 00A (H)
 (Series No.) (Pitch) (Poles) (Single Pitch) (Color): 1.(Grey)
 2.(Blue)
 3.(Black)
 4.(Green)
 5.(Orange)
 6.(Red)
 7.(Transparent)
 8.(Yellow)
 9.(White)



| | | | | | |
|------------------------|--------------|------------------------------------|-------|-----|--|
| DETACHED LISTS | PART NO.: | NINGBO DEGSON ELECTRONICS CO., LTD | | | |
| | APPD: | NAME: 2EDGAM-7.62-XXP-1Y-00A(H) | | | |
| | CHKD: | TITLE: CUSTOMER DRAWING | | | |
| | DRFT: | REV | DO | | |
| | DRAWING NO.: | | SHEET | 1/1 | |
| THIRD ANGLE PROJECTION | | SCALE | 1:1 | | |

H
G
F
E
D
C
B
A

8 7 6 5 4 3 2 1