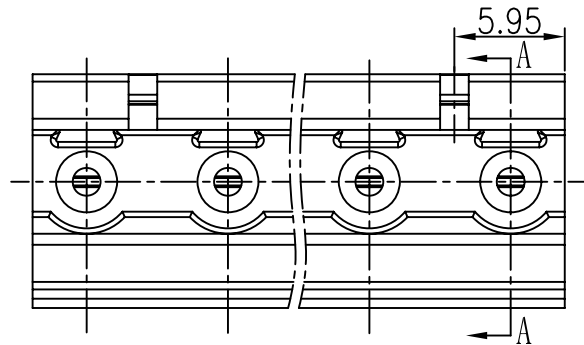
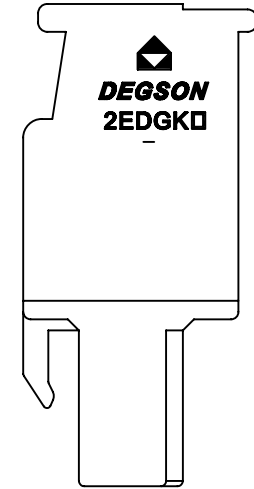
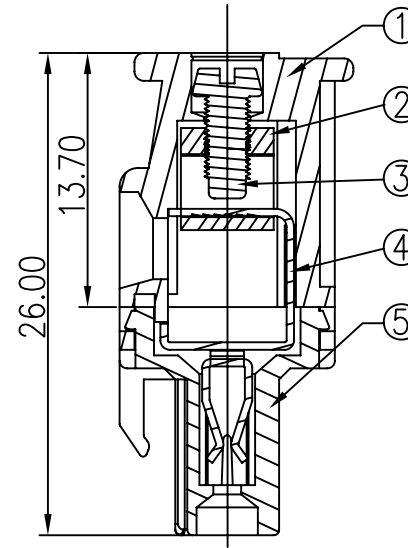
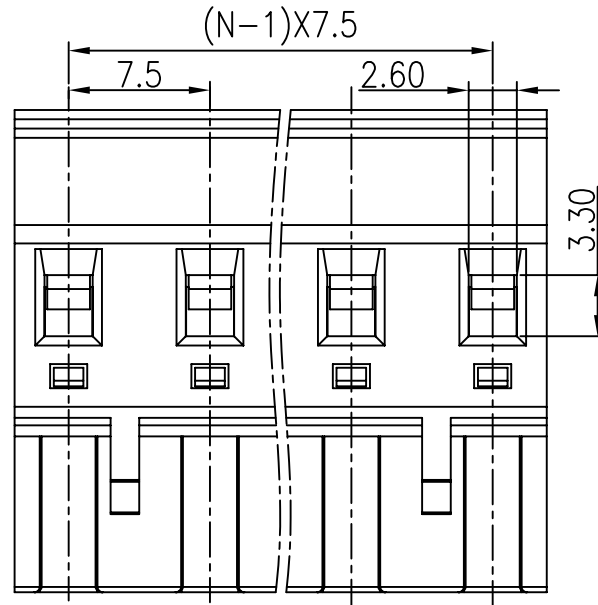
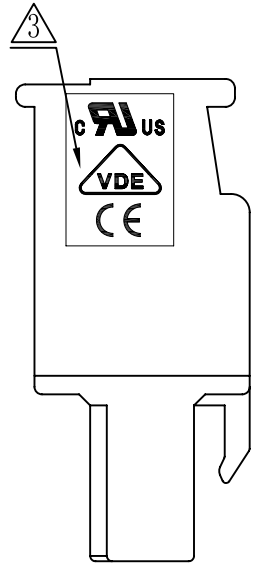
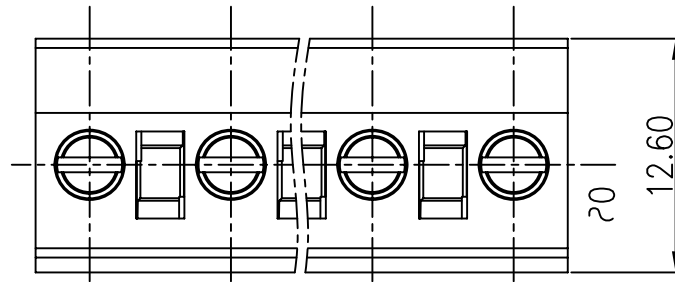


REVISION RECORD					
REV	ECO	DESCRIPTION	DRFT	DATE	
△		料号变更:由S000001370变更为S000000980	Yangys	01.12.07*	
△		品名、料号增加环保标示“(H)”	LJH	12/11/07*	
△		增加VDE,CE刻字	Zengy	11/12/08*	

Notes:

1. Pitch:7.5mm ,Poles:2-12P
2. Rated voltage/current:UL 300V/15A
VDE 400V/10A
3. Operation temperatures:-40℃~+105℃
4. Withstanding Voltage:AC2000V/1Min
5. Insulation Resistance:5000MΩ/DC1000V
6. Wire Range:28~12AWG, 1~2.5mm²
7. Max. Torque Value:M2.5, 4.08kgf. cm
8. Undimensioned Tolerances:

Pitch range in mm		Nominal dimension range in mm						
to	over	to	over	to	over			
6	10	24	30	60	100	150	∩	
±0.10	±0.15	±0.25	±0.2	±0.3	±0.5	±0.7	±1.0	0.05/10



3	2EDGK Screw"-M2.5	S000000980 (H)	XX	Steel	Cr ³⁺ Zn
2	DG128 CAGE	X000000020 (H)	XX	Brass	Ni plated
1	2EDGKA-7.5 housing	1052A0YXXA (H)	1	PA66	UL94V-0
ITEM	NAME OF PART	NO. OF PART	Q'TY	MATERIAL	NOTES

← MM (INCH) →		DFTO Zhuwm	DATE 09/27/06*
TOLERANCES EXCEPT AS NOTED		CHKD	DATE
		MFO	DATE
		APPVL	DATE
MM		MATERIAL :	
.0 ±	±		
.00 ±	±		
.000 ±	±		
ANGLES ± 1°		G.E :	
THIRD ANGLE PROJECTION		FINISH :	
		SCALE : 1:1	

宁波高正电子有限公司 DEGSON ELECTRONICS CO., LTD		NAME	
		2EDGKA-7.5-XXP-1Y-00A (H)	
DRAWING NO. 2EDGKA-7.5-E01		SIZE	REV
/PART NO.		A3	T3
DO NOT SCALE DRAWING		11/12/08*	
SHEET 1		OF 1	

5	2EDGKA-7.5 Cover	1052C0YXXA (H)	1	PA66	UL94V-0
4	2EDGKA-Clamp	1028B00010 (H)	XX	Phosphor bronze	Ni plated