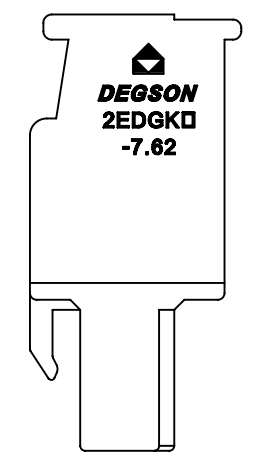
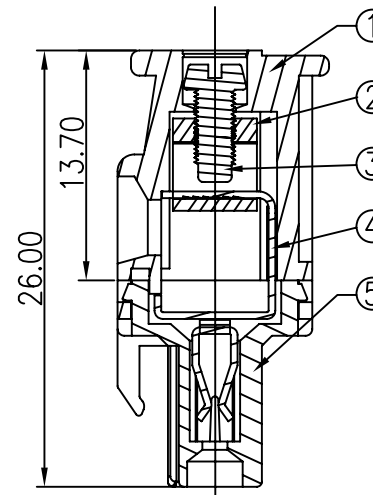
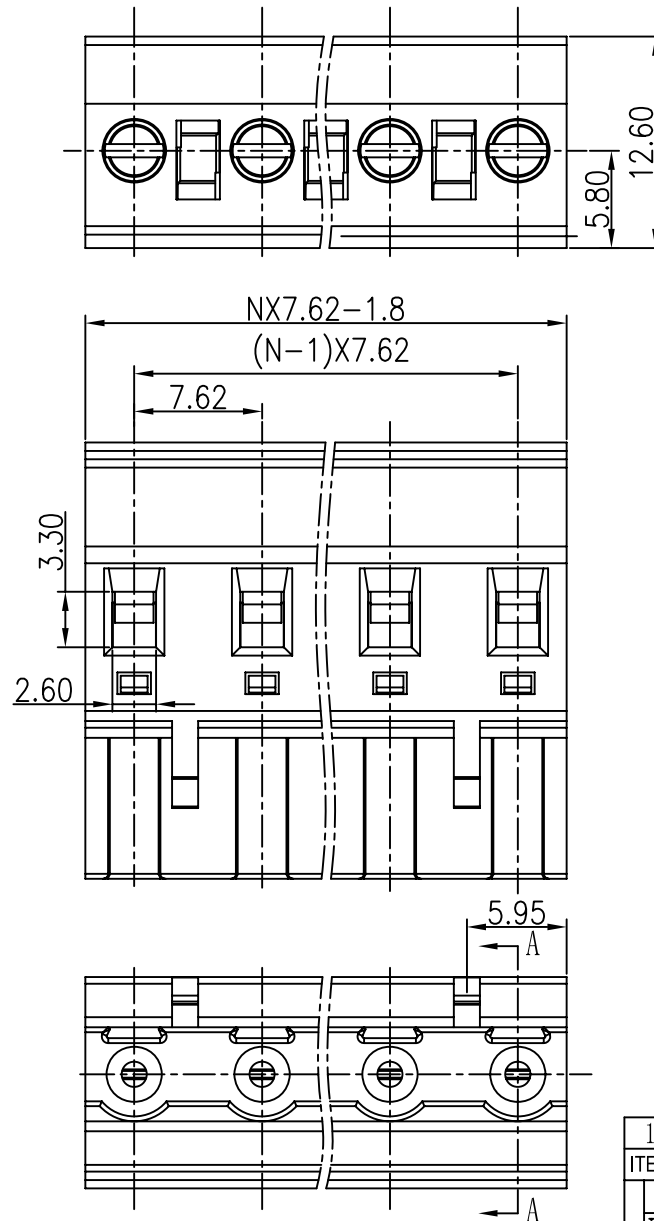


REVISION RECORD				
REV	ECO	DESCRIPTION	DRFT	DATE
△		料号变更:由S000001370变更为S000000980	Yangys	01.12.07*
△		品名、料号增加环保标示“(H)”	LJH	12/11/07*
△		增加VDE, CE刻字	Zengy	11/26/08*

Notes:

1. Pitch:7.62mm ,Poles:2-12P
2. Rated voltage/current:UL 300V/15A  
VDE 400V/10A
3. Operation temperatures:-40℃~+105℃
4. Withstanding Voltage:AC2000V/1Min
5. Insulation Resistance:5000MΩ/DC1000V
6. Wire Range:28~12AWG, 1~2.5mm<sup>2</sup>
7. Max. Torque Value:M2.5, 4.08kgf. cm
8. Undimensioned Tolerances:

Pitch range in mm			Nominal dimension range in mm				
to	over	over	over	over	over	over	
6	10	10	30	60	100	150	∩
to	to	to	to	to	to	to	∩
±0.10	±0.15	±0.25	±0.2	±0.3	±0.5	±0.7	±1.0



SECTION A-A

△	5	2EDGKA-7.62 Cover	1053COYXXA (H)	1	PA66	UL94V-0
	4	2EDGKA-Clamp	1028B00010 (H)	XX	Phosphor bronze	Ni plated
	3	2EDGK Screw"-M2.5	S000000980 (H)	XX	Steel	Cr <sup>3+</sup> Zn
	2	DG128 CAGE	X000000020 (H)	XX	Brass	Ni plated

1	2EDGKA-7.62 housing	1053A0YXXA (H)	1	PA66	UL94V-0
ITEM	NAME OF PART	NO. OF PART	Q'TY	MATERIAL	NOTES
DETACHED LISTS	MM (INCH)	DFTO Zhuwm	DATE 09/27/06*	宁波高正电子有限公司 DEGSON ELECTRONICS CO., LTD NAME 2EDGKA-7.62-XXP-1Y-00A (H)	
	TOLERANCES EXCEPT AS NOTED	CHKD	DATE		
		MFO	DATE		
		APPLY	DATE		
	MATERIAL :				
	ANGLES ± 1'	G.E :			
	FINISH :				
	THIRD ANGLE PROJECTION	SCALE : 1:1			
DO NOT SCALE DRAWING			SHEET 1	OF 1	
			SIZE A3	REV T3 11/26/08*	