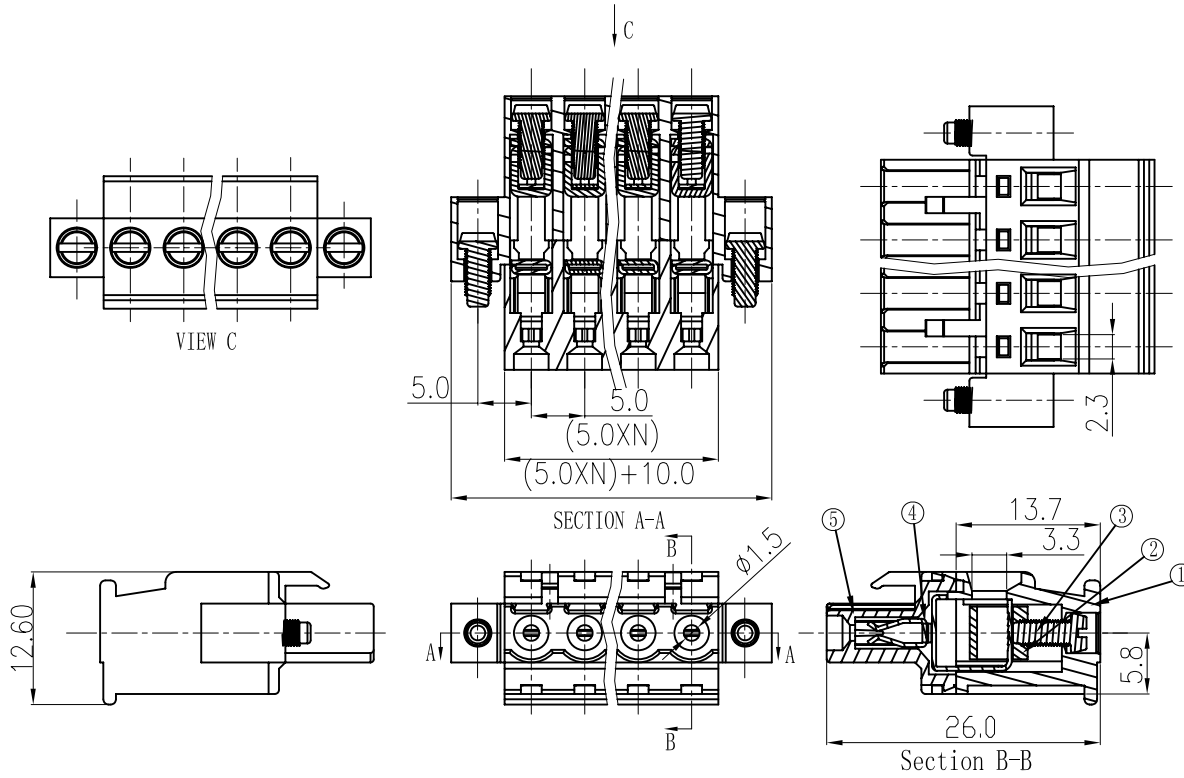


REVISION RECORD				
REV	ECO	DESCRIPTION	DRFT	DATE
△		Drawing emend	CSX	04/18/06*
△		工程变更	CSX	11/30/06*
△		增加UL刻字	CSX	04/05/07*
△		品名、料号增加环保标示“(H)”	LJH	12/11/07*
△		增加VDE, CE刻字	WLM	02/12/09*



Notes:

1. Pitch:5.0mm , Poles:2-22P
2. Rated voltage/current:UL 300V/15A
VDE 320V/10A
3. Operation temperatures:-45°C~+105°C
4. Withstanding Voltage:AC2000V/1min
5. Insulation Resistance:5000Ω/DC1000V
6. Wire Range:28~12AWG, 2.5mm²
7. Max. Torque Value:M2.5, 4.08kgf. cm
8. Undimensioned Tolerances:

Pitch range in mm		Nominal dimension range in mm					
to	over	to	over	over	over		
6	6 to 10	30	30 to 60	60 to 100	100 to 150	∅	
6	±0.15	±0.25	±0.2	±0.3	±0.5	±0.7	
						±1.0	
						0.05/10	

5	2EDGKA/B-5.0 COVER	1030COYXXA (H)	1	PA66	UL94V-0
4	2EDGKA/B-CLAMP	1028B00010 (H)	XX	Phosnor Bronze	Ni plated
3	2EDG SCREW-M2.5	S000000980 (H)△	XX+2	STEEL	Cr ³⁺ Zn
2	DG128 CAGE	X000000020 (H)	XX	BRASS	Ni plated

1	2EDGKAM/BM-5.0 HOUSING	1031A0YXXA (H)	1	PA66	UL94V-0
ITEM	NAME OF PART	NO. OF PART	Q"TY	MATERIAL	NOTES
	← MM (INCH) →	DFTO WYP	DATE 06/28/04"	宁波高正电子有限公司 DEGSON ELECTRONICS CO., LTD	
	TOLERANCES EXCEPT AS NOTED	CHKD	DATE		
		MFO	DATE		
		APPVL	DATE		
	MM			NAME	
	.0 ±			2EDGKAM-5.0-XXP-1Y-00A(H)	
	.00 ±			DRAWING NO. 2EDGKAM-5.0-E01	
	.000 ±			/PART NO.	
	ANGLES ± 1°	G.E :		SIZE	REV
		FINISH :		A3	T5
	THIRD ANGLE PROJECTION	SCALE :		02/12/09*	
		DO NOT SCALE DRAWING	SHEET 1	OF 1	