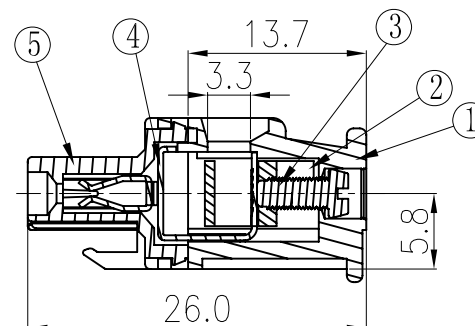
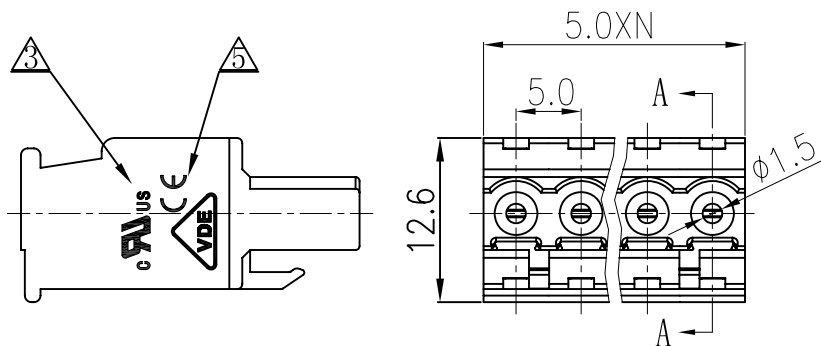
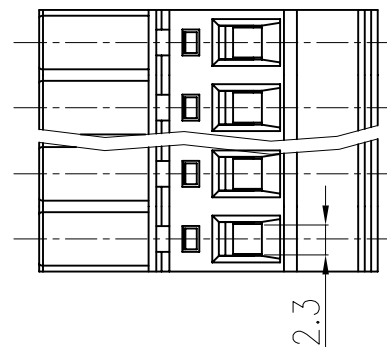
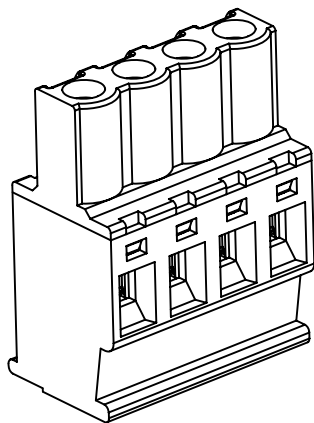


REVISION RECORD				
REV	ECO	DESCRIPTION	DRFT	DATE
△		图面更新	CSX	04/18/06
△		工程变更	CSX	11/30/06
△		增加UL刻字	CSX	03/12/07
△		品名、料号增加环保标示“(H)”	LJH	12/11/07
△		增加VDE、CE刻字	WLM	02/10/09



Section A-A

Notes:

1. Pitch:5.0mm , Poles:2-24P
2. Rated voltage/current:UL 300V/15A  
VDE 320V/10A
3. Operation temperatures:-45°C~+105°C
4. Withstanding Voltage:AC2000V/1Min
5. Insulation Resistance:5000Ω/DC1000V
6. Wire Range:28~12AWG, 2.5mm<sup>2</sup>
7. Max. Torque Value:M2.5, 4.08kgf.cm
8. Undimensioned Tolerances:

Pitch range in mm			Nominal dimension range in mm					
to	over	over	to	over	over	over	over	
6	6	10	30	60	100	150		
to 6	to 10	to 24	to 30	to 60	to 100	to 150		
±0.10	±0.15	±0.25	±0.2	±0.3	±0.5	±0.7	±1.0	0.05/10

ITEM	NAME OF PART	NO. OF PART	Q'TY	MATERIAL	NOTES
5	2EDGKA/B-5.0 COVER	1030C0YXXA (H)	1	PA66	UL94V-0
4	2EDGKA/B-CLAMP	1028B00010 (H)	XX	Phoshor Bronze	Ni plated
3	2EDG SCREW-M2.5	S000000980 (H)	XX	Steel	Cr <sup>3+</sup> Zn
2	DG128 CAGE	X000000020 (H)	XX	Brass	Ni plated

<b>1</b>	<b>2EDGKA/B-5.0 HOUSING</b>	1030A0YXXA (H)	1	PA66	UL94V-0
<b>ITEM</b>	<b>NAME OF PART</b>	<b>NO. OF PART</b>	<b>Q'TY</b>	<b>MATERIAL</b>	<b>NOTES</b>
TOLERANCES EXCEPT AS NOTED MM (INCH) .0 ± .00 ± .000 ±		DFTO WYP CHKD MFO APPVL	DATE 04/22/04" DATE DATE DATE	DEGSON 宁波高正电子有限公司 DEGSON ELECTRONICS CO., LTD	
ANGLES ± 1° THIRD ANGLE PROJECTION		MATERIAL : G.E : FINISH : SCALE :		NAME <b>2EDGKB-5.0-XXP-1Y-00A(H)</b> DRAWING NO. 2EDGKB-5.0-E01 /PART NO. SIZE A3 REV T5 12/10/09	
DO NOT SCALE DRAWING				SHEET 1 OF 1	