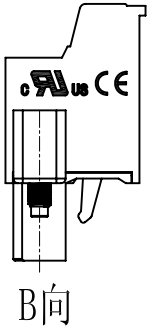
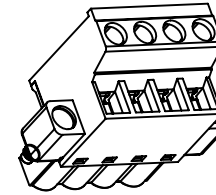
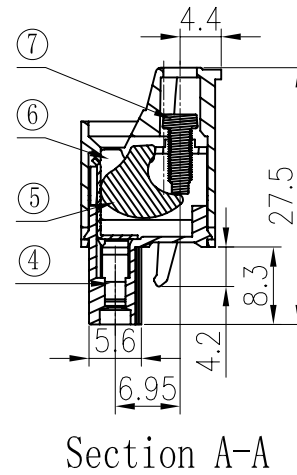
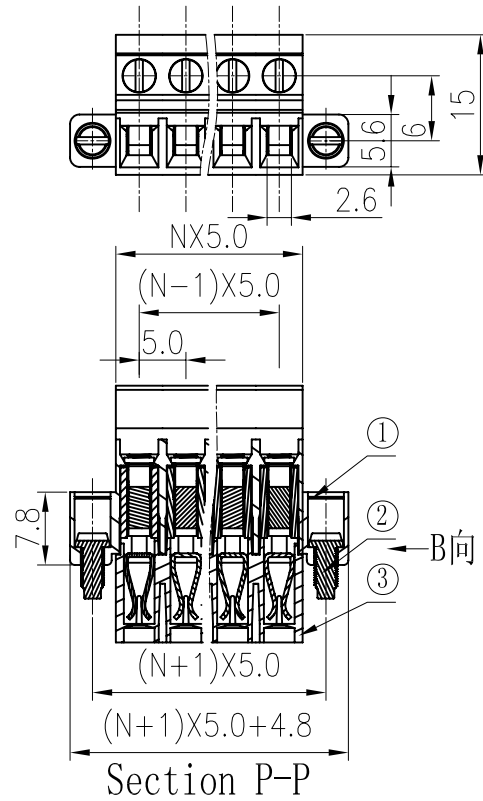


REVISION RECORD				
REV	ECO	DESCRIPTION	DRFT	DATE
△		图面整理	Apple	04/07/08



Notes:

1. Pitch: 5.0mm, Poles: 2-24P
2. Rated voltage/current: UL 300V/10A
IEC 250V/20A
3. Operation temperatures: -40°C ~ +105°C
4. Withstanding Voltage: AC2000V/1min
5. Insulation Resistance: 5000MΩ/DC1000V
6. Wire Range: 28~12AWG, 2.5mm²
7. Max. Torque Value: M2.5, 4.08Kgf.cm
8. Undimensioned Tolerances:

Pitch range in mm		Nominal dimension range in mm					—	
	over 6	over 10		over 30	over 60	over 100	over 150	∩
to 6	to 10	to 24	to 30	to 60	to 100	to 150		∇
±0.10	±0.15	±0.25	±0.2	±0.3	±0.5	±0.7	±1.0	0.05/10

7	2EDGKC Screw-M2.5	S000002150 (H)	XX	Steel	Cr ³⁺ Zn
6	2EDGKC-Cage	X000001710 (H)	XX	Steel	Cr ³⁺ Zn
5	2EDGKC-Block	X000001720 (H)	XX	Steel	Cr ³⁺ Zn
4	2EDGKC-Clamp	1091B00010 (H)	XX	Phosphor bronze	SnCe plated
3	2EDGKC-5.0 Cover	1093C0YXXA (H)	1	PA66	UL94V-0
2	2EDGK Screw-M2.5	S000001370 (H)	2	Steel	Cr ³⁺ Zn

1	2EDGKCM-5.0 Housing	1094A0YXXA (H)	1	PA66	UL94V-0																			
ITEM	NAME OF PART	NO. OF PART	Q'TY	MATERIAL	NOTES																			
<table border="1"> <thead> <tr> <th colspan="2">MM (INCH)</th> <th>DFTD Yangys</th> <th>DATE 02/22/08</th> </tr> </thead> <tbody> <tr> <td colspan="2">TOLERANCES EXCEPT AS NOTED</td> <td>CHKD</td> <td>DATE</td> </tr> <tr> <td colspan="2"></td> <td>MFO</td> <td>DATE</td> </tr> <tr> <td colspan="2"></td> <td>APPVL</td> <td>DATE</td> </tr> <tr> <td colspan="4">MATERIAL :</td> </tr> </tbody> </table>		MM (INCH)		DFTD Yangys	DATE 02/22/08	TOLERANCES EXCEPT AS NOTED		CHKD	DATE			MFO	DATE			APPVL	DATE	MATERIAL :				<p>宁波高正电子有限公司 DEGSON ELECTRONICS CO., LTD</p>		
MM (INCH)		DFTD Yangys	DATE 02/22/08																					
TOLERANCES EXCEPT AS NOTED		CHKD	DATE																					
		MFO	DATE																					
		APPVL	DATE																					
MATERIAL :																								
<table border="1"> <thead> <tr> <th>MM</th> <th>±</th> </tr> </thead> <tbody> <tr> <td>.0 ±</td> <td>±</td> </tr> <tr> <td>.00 ±</td> <td>±</td> </tr> <tr> <td>.000 ±</td> <td>±</td> </tr> </tbody> </table>		MM	±	.0 ±	±	.00 ±	±	.000 ±	±	NAME 2EDGKCM-5.0-XXP-1Y-00A (H)														
MM	±																							
.0 ±	±																							
.00 ±	±																							
.000 ±	±																							
ANGLES ± 1° 		G.E. : FINISH :		DRAWING NO. 2EDGKCM-5.0-E01 /PART NO.	SIZE A3 REV T1 04/07/08																			
THIRD ANGLE PROJECTION		SCALE : 1:1		DO NOT SCALE DRAWING																				
				SHEET 1	OF 1																			

8

7

6

5

4

3

2

1

A

B

C

D

E

F

G

H