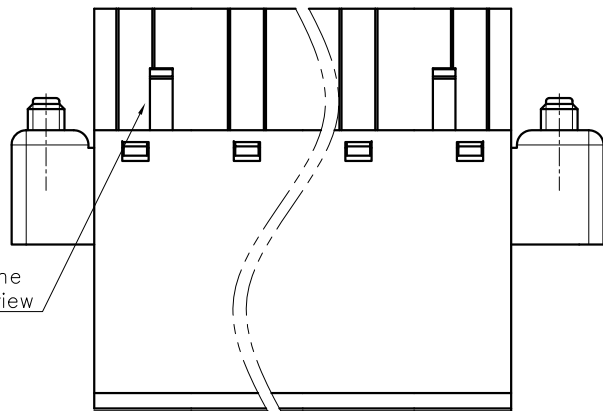


REVISION RECORD				
REV	ECN	DESCRIPTION	DRFT	DATE



02P: Clasp on the left from this view

NOTES1:

- UL Standard
- 1. Rated voltage/current : 300V / 10A
- 2. Withstanding voltage : AC1600V/1Min.
- 3. Torque value : M2.5 , 3.54Lb.in
- 4. Wire range : 28~12AWG

IEC Standard

1. Pollution Degree	2
Overvoltage Category	III
Rate Impulse Voltage(KV)	4.0KV
Rate Voltage(V)	400V
Rate Current(A)	20A

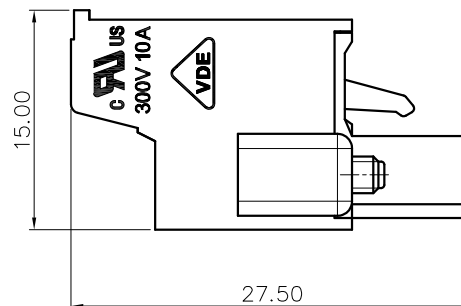
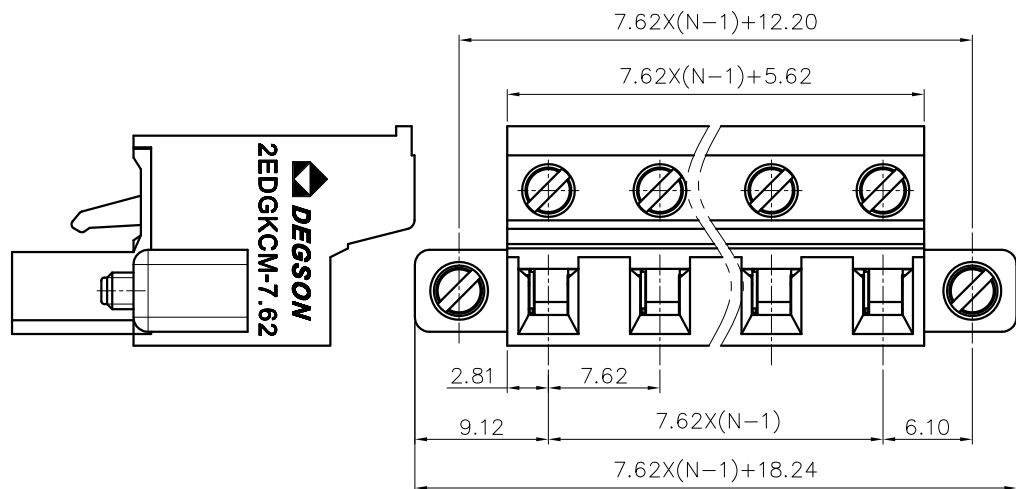
- 2. Torque value : M2.5 , 0.4N·m
- 3. Wire range : 0.2~2.5mm²

NOTES2:

- 1. Dimension shall be interpreted per ASME Y14.5-2009
- 2. Pitch : 7.62mm, Poles : N=02~12P
- 3. Stripping length : 9~10mm
- 4. Operating temperature: -40°C~+105°C
- 5. Undimensioned tolerances:

Pitch range in mm		Nominal dimension range in mm					-	∩	∇
TO	Over TO	TO	Over TO	Over TO	Over TO	150	0.1/10	<	
6	6 TO 10	10	10 TO 24	30	30 TO 60	60	100	150	
±0.15	±0.20	±0.30	±0.30	±0.50	±0.70	±1.00	±1.30	±2*	

6. RoHS Compliance



2EDGKCM - 7.62 - XXP - 1Y - 00A (H)
 (RoHS)
 00A--(Standard)

(Series No.) (Pitch) (Poles) (Single Pitch)

(Color): 1.(Grey) 2.(Blue) 3.(Black) 4.(Green) 5.(Orange)
 6.(Red) 7.(Transparent) 8.(Yellow) 9.(White)

DETACHED LISTS	PART NO.:	宁波高松电子有限公司 NINGBO DEGSON ELECTRICAL CO., LTD			
	APPD:	NAME: 2EDGKCM-7.62-XXP-1Y-00A(H)			
	CHKD:	TITLE: CUSTOMER DRAWING			
	DRFT:	DRAWING NO.:		REV	DO
THIRD ANGLE PROJECTION		DO NOT SCALE DRAWING		SHEET	1/1
		MM (INCH)		SCALE	1:1