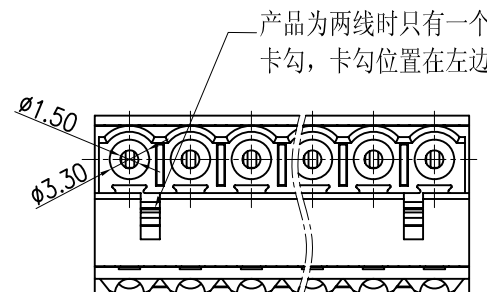
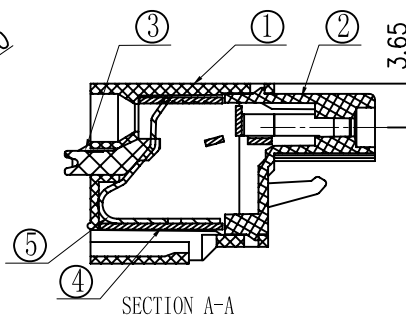
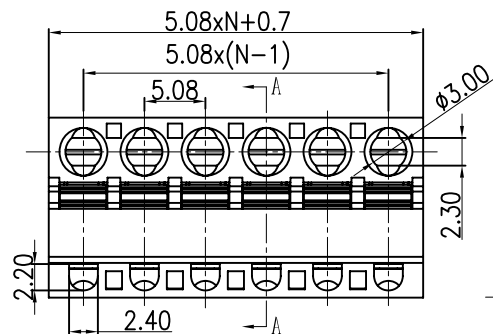
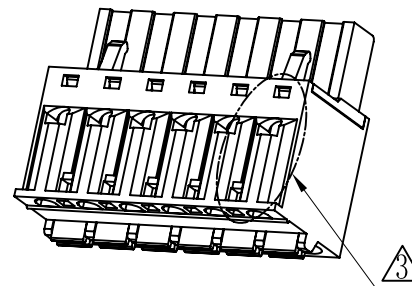
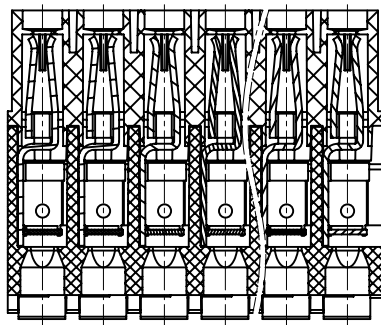


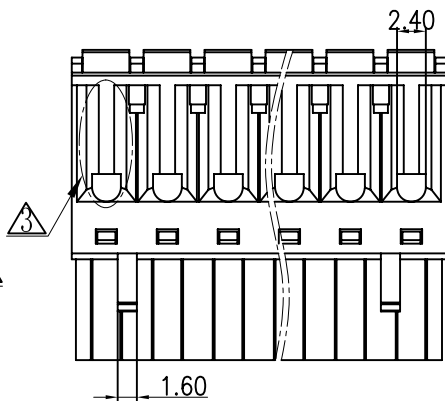
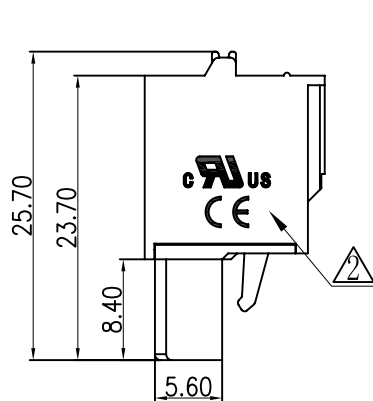
REVISION RECORD				
REV	ECO	DESCRIPTION	DRFT	DATE
△		品名、料号增加环保标示“00”	LJH	12/11/07*
△		增加UL刻字	Zengy	01/06/10*
△	0-0262	修改外型	HXG	08/16/10*
△	0-0032	弹片由X000001320变更为X00004810	Ap11e	09/30/10*



Notes:

1. Pitch: 5.08mm Poles: 2P-16P
2. Rated voltage/current: UL 300V/10A  
IEC 250V/20A
3. Operation temperatures: -40° C ~ +105° C
4. Withstanding Voltage: AC2500V/1min
5. Insulation Resistance: 5000MΩ/DC1000V
6. Wire Range: 26~12AWG 2.5mm<sup>2</sup>
7. Undimensioned Tolerances:

Pitch range in mm		Nominal dimension range in mm							
to	over	to	over	to	over				
6	6 to 10	10	10 to 24	30	30 to 60	60 to 100	100 to 150	150	∩
±0.10	±0.15	±0.25	±0.2	±0.3	±0.5	±0.7	±1.0	±0.05/0.10	∇



ITEM	NAME OF PART	NO. OF PART	Q'TY	MATERIAL	NOTES
5	2EDGKD-5.08-Spring	X000004810 (H)	xx	Stainless steel	
4	2EDGKD-5.08-Clamp	1085B00010 (H)	xx	Phosphor bronze	SnCe
3	2EDGKD-5.08-Button	1085D0501A (H)	xx	PA66	UL94V-0
2	2EDGKD-5.08-Cover	1085C0YXXA (H)	1	PA66	UL94V-0

1	2EDGKD-5.08-Housing	1085A0YXXA (H)	1	PA66	UL94V-0																														
<table border="1"> <tr> <td>MM (INCH)</td> <td>DFTO Apple</td> <td>DATE 10/20/06*</td> </tr> <tr> <td>TOLERANCES EXCEPT AS NOTED</td> <td>CHKD</td> <td>DATE</td> </tr> <tr> <td></td> <td>MFO</td> <td>DATE</td> </tr> <tr> <td></td> <td>APPVL</td> <td>DATE</td> </tr> <tr> <td>MM</td> <td colspan="2">MATERIAL :</td> </tr> <tr> <td>.0 ±</td> <td colspan="2">G.E. :</td> </tr> <tr> <td>.00 ±</td> <td colspan="2">FINISH :</td> </tr> <tr> <td>.000 ±</td> <td colspan="2">SCALE : 1:1</td> </tr> <tr> <td>ANGLES ± 1'</td> <td colspan="2">DO NOT SCALE DRAWING</td> </tr> <tr> <td>THIRD ANGLE PROJECTION</td> <td colspan="2">SHEET 1 OF 1</td> </tr> </table>						MM (INCH)	DFTO Apple	DATE 10/20/06*	TOLERANCES EXCEPT AS NOTED	CHKD	DATE		MFO	DATE		APPVL	DATE	MM	MATERIAL :		.0 ±	G.E. :		.00 ±	FINISH :		.000 ±	SCALE : 1:1		ANGLES ± 1'	DO NOT SCALE DRAWING		THIRD ANGLE PROJECTION	SHEET 1 OF 1	
MM (INCH)	DFTO Apple	DATE 10/20/06*																																	
TOLERANCES EXCEPT AS NOTED	CHKD	DATE																																	
	MFO	DATE																																	
	APPVL	DATE																																	
MM	MATERIAL :																																		
.0 ±	G.E. :																																		
.00 ±	FINISH :																																		
.000 ±	SCALE : 1:1																																		
ANGLES ± 1'	DO NOT SCALE DRAWING																																		
THIRD ANGLE PROJECTION	SHEET 1 OF 1																																		
<p>DEGSON 宁波高正电子有限公司 DEGSON ELECTRONICS CO., LTD</p> <p>NAME: 2EDGKD-5.08-XXP-1Y-00A(H)</p> <p>DRAWING NO. 2EDGKD-5.08-E01 SIZE A3 REV T3 09/30/10*</p>																																			