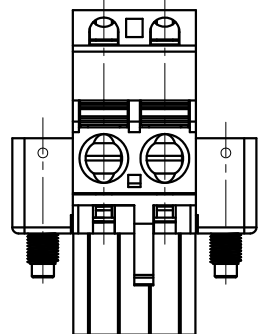
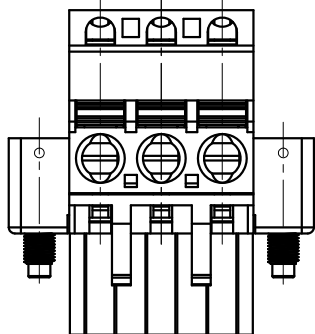


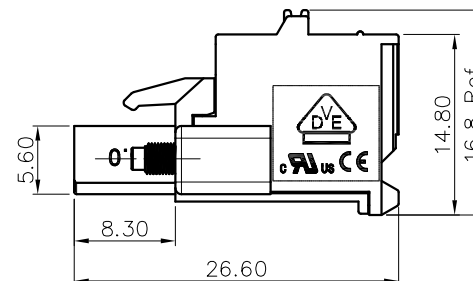
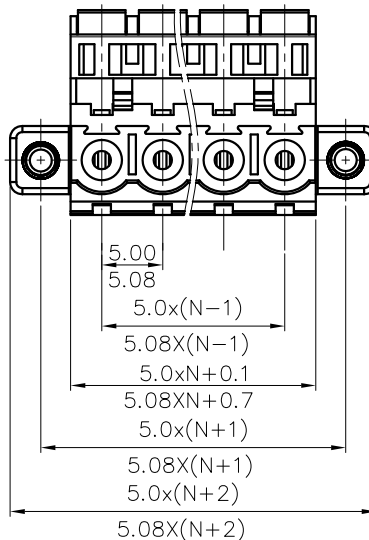
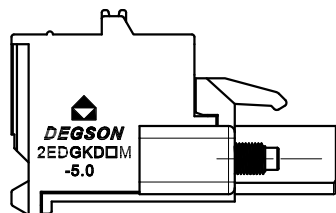
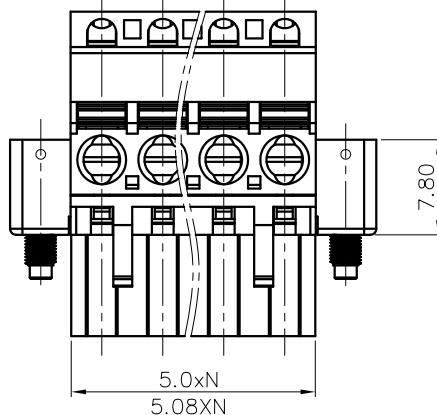
REVISION RECORD				
REV	ECN	DESCRIPTION	DRFT	DATE



02P



03P



2EDGKDOM - 5.0/5.08 - XXP - 1Y - 00A (H)  
 (Series No.) (Pitch) (Poles) (Single Pitch) (Color): 1.(Grey)  
 (RoHS)  
 00A-(Standard)  
 2.(Blue)  
 3.(Black)  
 4.(Green)  
 5.(Orange)  
 6.(Red)  
 7.(Transparent)  
 8.(Yellow)  
 9.(White)

NOTES1:

UL Standard

- 1.Rated Voltage/Current : 300V / 10A
- 2.Withstanding Voltage : AC1600V/1Min.
- 3.Wire Range : 26~12AWG

IEC Standard

Pollution Degree	2
Overtoltage Category	III
Rate Impulse Voltage(KV)	4.0KV
Rate Voltage(V)	320V
Rate Current(A)	20A

2.Wire Range : 0.2~2.5mm<sup>2</sup>

NOTES2:

- 1.Dimension shall be interpreted per ASME Y14.5-2009
- 2.Pitch : 5.00/5.08mm, Poles : N=02~24P/02~16P
- 3.Stripping length : 9~10mm
- 4.Operating temperature: -40°C~+105°C
- 5.Undimensioned Tolerances:

Pitch range in mm			Nominal dimension range in mm				0.1/10	
TO 6	Over 6 TO 10	Over 10 TO 24	TO 30	Over 30 TO 60	Over 60 TO 100	Over 100 TO 150		
±0.15	±0.20	±0.30	±0.30	±0.50	±0.70	±1.00	±1.30	±2°

6.RoHS Compliance

DETACHED LISTS	PART NO.:	NINGBO DEGSON ELECTRICAL CO., LTD			
	APPD:	NAME: 2EDGKDOM-5.0/5.08-XXP-1Y-00A(H)			
	CHKD:	TITLE: CUSTOMER DRAWING			
	DRFT:	DRAWING NO.:		REV	DO
	THIRD ANGLE PROJECTION		MM (INCH)	DO NOT SCALE DRAWING	SCALE 1:1