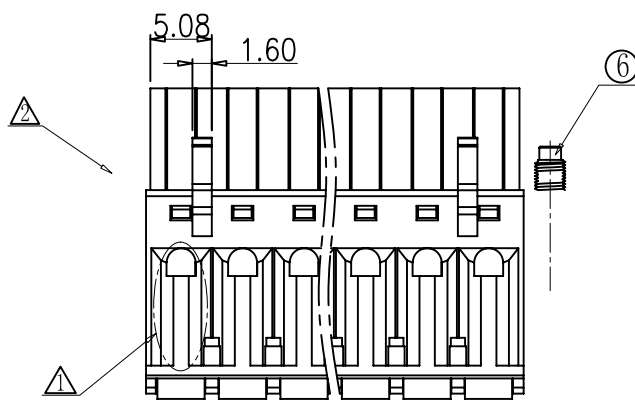
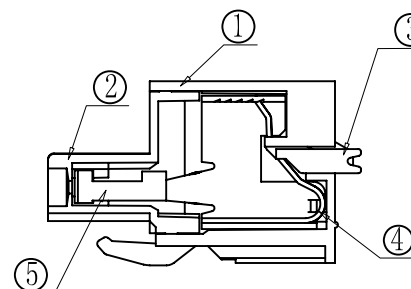
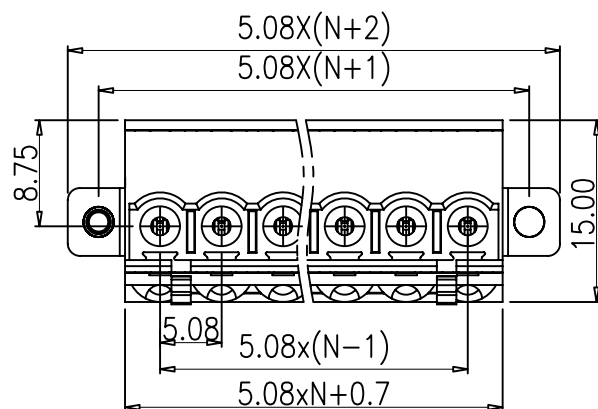
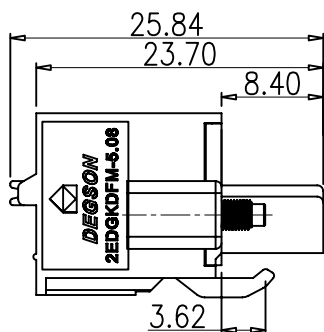
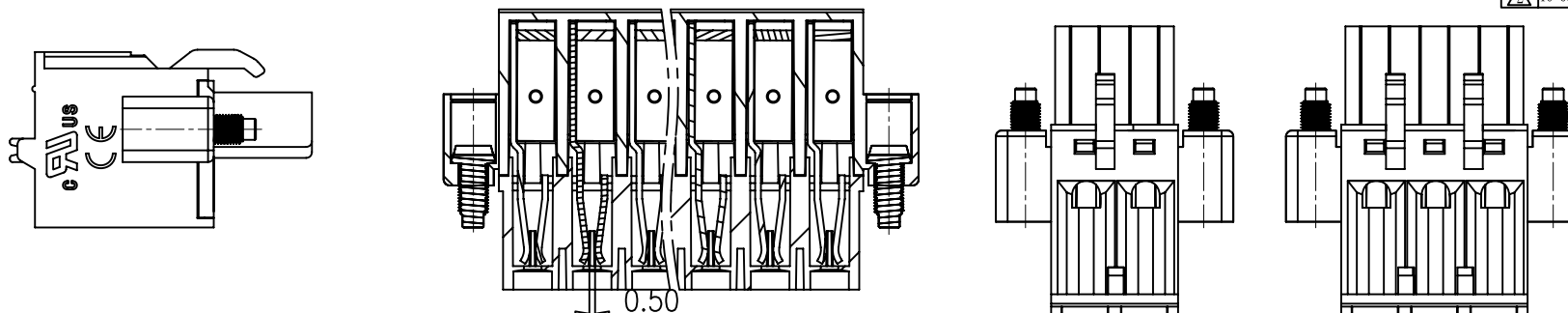


REVISION RECORD					
REV	ECN	DESCRIPTION	DRFT	DATE	
△	10-0266	修改外形	Golden	08/18/10	
△	10-0306	更新图面	Golden	09/16/10	



Notes:

- Pitch: 5.08mm Poles: 2P-16P
- Rated voltage/current: UL 300V/10A
IEC 320V/20A
- Operation temperatures: -40°C ~ +105°C
- Withstanding Voltage: AC2500V/1Min
- Insulation Resistance: 5000MΩ/DC1000V
- Wire Range: 26~12AWG, 2.5mm²
- Undimensioned Tolerances:

Pitch range in mm		Nominal dimension range in mm					
to	over	to	over	over	over	∩	
6	6 to 10	10 to 24	30 to 60	60 to 100	100 to 150	150	
±0.10	±0.15	±0.25	±0.2	±0.3	±0.5	±0.7	±1.0
							0.05/10

ITEM	NAME OF PART	NO. OF PART	Q'TY	MATERIAL	NOTES
6	2EDGKDF-5.08-Screw	S000001370 (H)	2	Steel	Cr ³⁺ Zn
5	2EDGKDF-5.08-Spring	X000004810 (H)	xx	Stainless steel	
4	2EDGKDF-5.08-Clamp	1219B00010 (H)	xx	Phosphor bronze	SnCe
3	2EDGKD-5.08-Button	1085D0501A (H)	xx	PA66	UL94V-0
2	2EDGKDF-5.08-Cover	1219C0YXXA (H)	1	PA66	UL94V-0

ITEM	NAME OF PART	NO. OF PART	Q'TY	MATERIAL	NOTES
1	2EDGKDFM-5.08-Housing	1221A0YXXA (H)	1	PA66	UL94V-0

MM (INCH)	DFTO HXG	DATE 02/16/09*	宁波高正电子有限公司 DEGSON ELECTRONICS CO., LTD
TOLERANCES EXCEPT AS NOTED	CHKD	DATE	
	MFO	DATE	
	APPLV	DATE	
MM			NAME
.0 ±			2EDGKDFM-5.08-XXP-1Y-00A(H)
.00 ±			DRAWING NO. 2EDGKDFM-5.08-E01
.000 ±			/PART NO.
ANGLES ± 1°	G.E :		SIZE A3
	FINISH :		REV T2
THIRD ANGLE PROJECTION	SCALE : 1:1		02/16/10*
			DO NOT SCALE DRAWING
			SHEET 1 OF 1