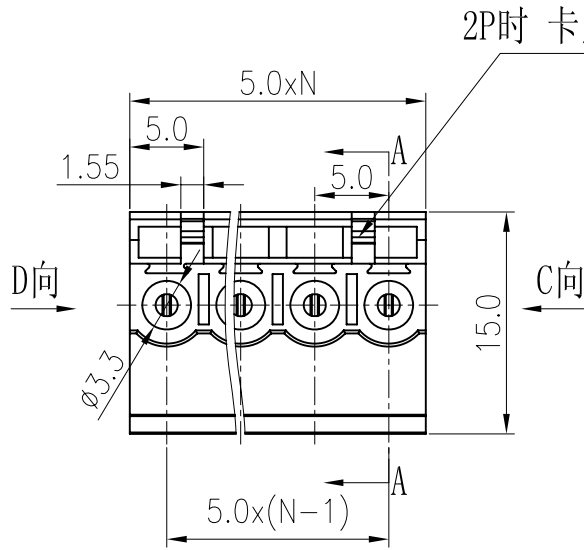
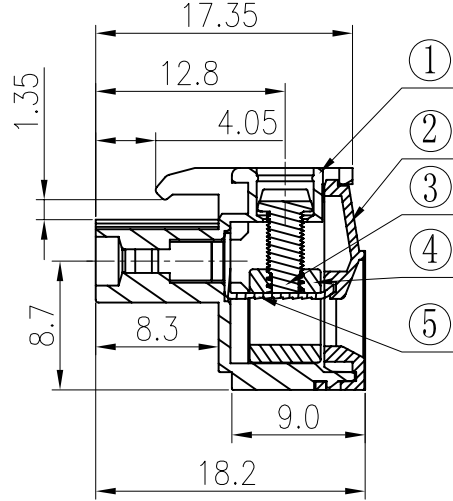


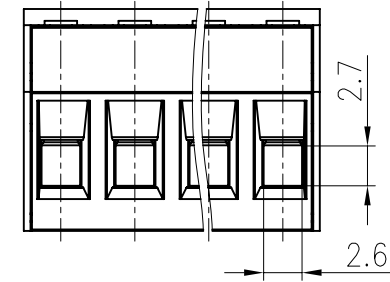
REVISION RECORD				
REV	ECO	DESCRIPTION	DRFT	DATE
△		品名、料号增加环保标示“(H)”	LJH	12/11/07
△		新开模结构全面修改	Apple	10/20/08



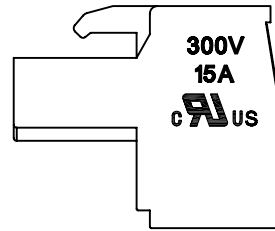
2P时 卡点在右边



Section A-A



View D



View C

Notes:

- Pitch: 5.0mm, Poles: 2-18P
- Rated voltage/current: UL 300V/15A
IEC 320V/20A
- Operation temperatures: -40°C ~ +105°C
- Withstanding Voltage: AC1500V/1min
- Insulation Resistance: 5000MΩ/DC1000V
- Wire Range: 28~12AWG, 2.5mm²
- Max. Torque Value: M2.5, 4.08Kgf.cm
- Undimensioned Tolerances:

Pitch range in mm		Nominal dimension range in mm				
to	over	to	over	to	over	
6	6 to 10	10 to 24	30 to 60	60 to 100	100 to 150	150
±0.10	±0.15	±0.25	±0.2	±0.3	±0.5	±0.7 ± 1.0
						0.05/10

ITEM	NAME OF PART	NO. OF PART	Q'TY	MATERIAL	NOTES
5	2EDGKF-Clamp	1070B00010 (H)	XX	Phospor Bronze	SnCe
4	DG128 Brass cage	X000000020 (H)	XX	Brass	Ni plated
3	2EDG "—"Screws-M2.5	S000001370 (H)	XX	Steel	Cr ³⁺ Zn
2	2EDGKF-5.0-Cover	1070COYXXA (H)	1	PA66	UL94V-0

1	2EDGKF-5.0-Housing	1070A0YXXA (H)	1	PA66	UL94V-0												
<table border="1"> <tr> <td>MM (INCH)</td> <td>DFTO Apple</td> <td>DATE 10/20/08</td> </tr> <tr> <td>TOLERANCES EXCEPT AS NOTED</td> <td>CHKD</td> <td>DATE</td> </tr> <tr> <td></td> <td>MFO</td> <td>DATE</td> </tr> <tr> <td></td> <td>APPVL</td> <td>DATE</td> </tr> </table>		MM (INCH)	DFTO Apple	DATE 10/20/08	TOLERANCES EXCEPT AS NOTED	CHKD	DATE		MFO	DATE		APPVL	DATE	宁波高正电子有限公司 DEGSON ELECTRONICS CO., LTD			
MM (INCH)	DFTO Apple	DATE 10/20/08															
TOLERANCES EXCEPT AS NOTED	CHKD	DATE															
	MFO	DATE															
	APPVL	DATE															
<table border="1"> <tr> <td>MM</td> <td>±</td> </tr> <tr> <td>.0 ±</td> <td>±</td> </tr> <tr> <td>.00 ±</td> <td>±</td> </tr> <tr> <td>.000 ±</td> <td>±</td> </tr> </table>		MM	±	.0 ±	±	.00 ±	±	.000 ±	±	NAME 2EDGKF-5.0-XXP-1Y-00A(H)		DRAWING NO. 2EDGKF-5.0-E01 /PART NO.					
MM	±																
.0 ±	±																
.00 ±	±																
.000 ±	±																
ANGLES ± 1'		G.E :		SIZE A3													
		FINISH :		REV T2 10/20/08													
THIRD ANGLE PROJECTION		SCALE : 1:1		DO NOT SCALE DRAWING													
				SHEET 1 OF 1													