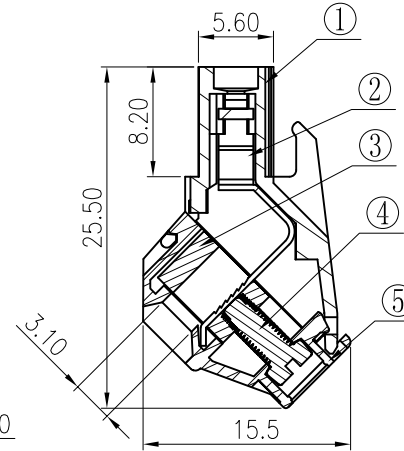
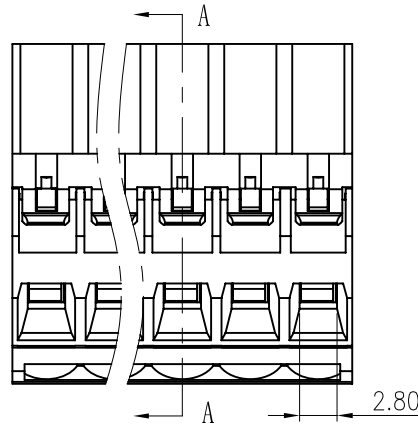
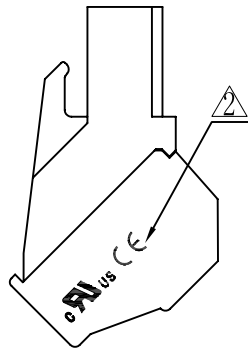
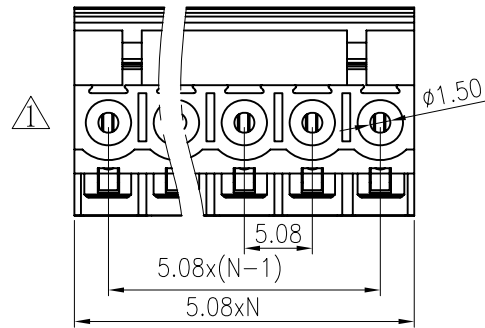
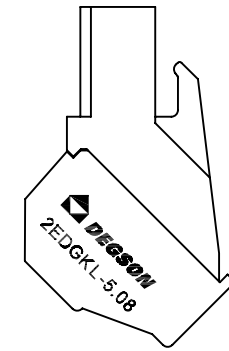


REVISION RECORD					
REV	ECO	DESCRIPTION	DRFT	DATE	
△		修改视图	LJH	02/06/09*	
△		增加UL, CE刻字	HD	10/20/09*	



Section:A-A



Notes:

1. Pitch:5.08mm , Poles:2-22P
2. Rated voltage/current:UL 300V/15A
IEC 320V/20A
3. Operation temperatures:-40°C~+105°C
4. Withstanding Voltage:AC2000V/1Min
5. Insulation Resistance:5000MΩ/DC1000V
6. Wire Range :28~12AWG, 2.5mm²
7. Max. Torque Value:M2.5, 4.08kgf.cm
8. Undimensioned Tolerances:

Pitch range in mm		Nominal dimension range in mm						
to 6	over 6 to 10	over 10 to 24	over 30 to 60	over 60 to 100	over 100 to 150	over 150	□	
±0.10	±0.15	±0.25	±0.2	±0.3	±0.5	±0.7	±1.0	
							0.05/10	

ITEM	NAME OF PART	NO. OF PART	Q'TY	MATERIAL	NOTES
5	2EDGKL-5.08 Cover	1187C0YXXA (H)	1	PA66	UL94V-0
4	2EDG Screws (M2.5)	S000001370 (H)	XX	Steel	Cr ³⁺ Zn
3	DG128 Cage	X000000020 (H)	XX	Brass	Ni plated
2	2EDGKL-5.08 Clamp	1187B00010 (H)	XX	Phoshor bronze	SnCe plated
1	2EDGKL-5.08 Housing	1187A0YXXA (H)	1	PA66	UL94V-0

DETACHED LISTS	← MM (INCH) →	DFTO LINDA	DATE 04/15/08*	宁波高正电子有限公司 DEGSON ELECTRONICS CO., LTD	
	TOLERANCES EXCEPT AS NOTED	CHKD	DATE		
	MM	MFO	DATE	NAME 2EDGKL-5.08-XXP-1Y-00A (H)	
	.0 ±	APPVL	DATE		
	.00 ±	MATERIAL :		DRAWING NO. 2EDGKL-5.08-E01 /PART NO.	
.000 ±	G.E :		SIZE A3		
ANGLES ± 1°		FINISH :		10/20/09*	
THIRD ANGLE PROJECTION		SCALE : 1:1		DO NOT SCALE DRAWING	
			SHEET		OF