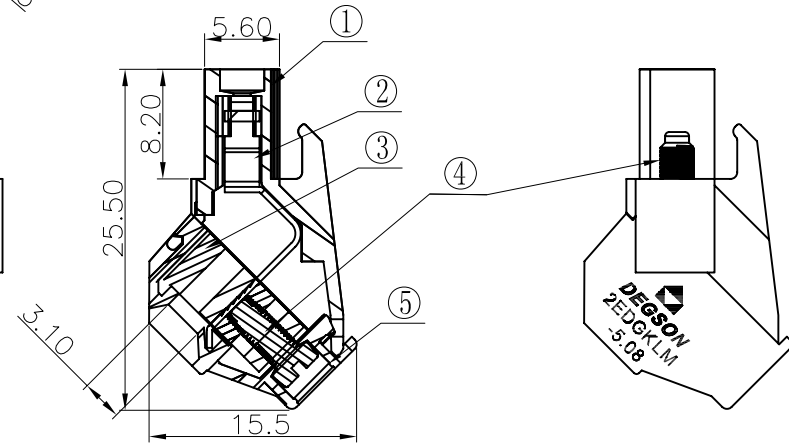
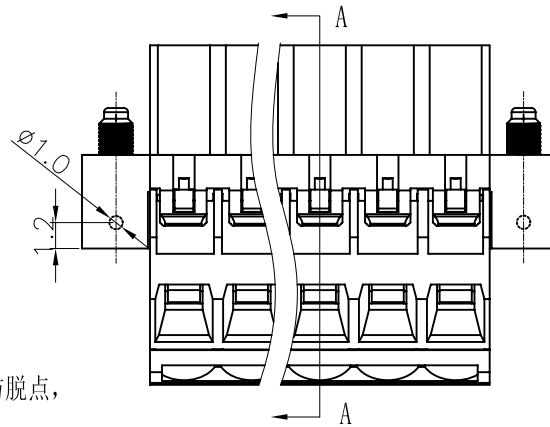
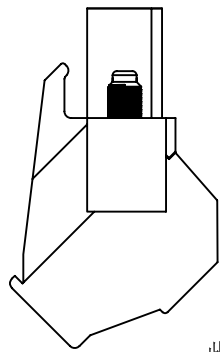
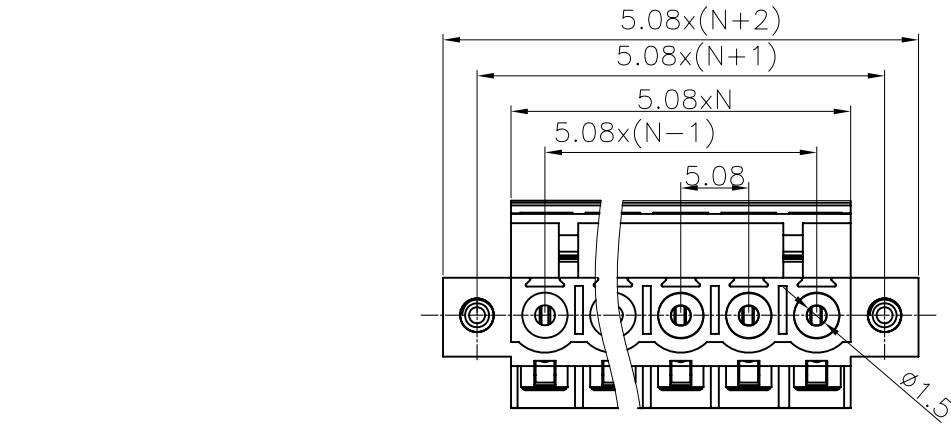


REVISION RECORD				
REV	ECO	DESCRIPTION	DRFT	DATE



Section:A-A

此处用治具打防脱点，防止螺丝脱落

Notes:

1. Pitch: 5.08mm, Poles: 2-22P
2. Rated voltage/current: UL1059 300V/10A
IEC 250V/12A
3. Operation temperatures: -40°C ~ +105°C
4. Withstanding Voltage: AC2000V/1min
5. Insulation Resistance: 5000MΩ / DC1000V
6. Wire Range: 24~12AWG, 2.5mm²
7. Max. Torque Value: M2.5, 4.08kgf.cm
8. Undimensioned Tolerances:

Pitch range in mm		Nominal dimension range in mm						—
to 6	over 6 to 10	over 10 to 24	over 24 to 30	over 30 to 60	over 60 to 100	over 100 to 150	∩	
±0.10	±0.15	±0.25	±0.2	±0.3	±0.5	±0.7	□	

ITEM	NAME OF PART	NO. OF PART	Q'TY	MATERIAL	NOTES
5	2EDGKLM Cover	1187C0YXXC (H)	1	PA66	UL94V-0
4	2EDGK Screws (M2.5)	S000001370 (H)	XX+2	Steel	Cr Zn
3	DG128 Cage	X000000020 (H)	XX	Brass	Ni plated
2	2EDGKL Clamp	1187B00010 (H)	XX	Phosphorbronze	SnCe plated
1	2EDGLM Housing	1189A0YXXA (H)	1	PA66	UL94V-0

DETACHED LISTS	MM (INCH)	DFTO LINDA	DATE 04/15/08"
	TOLERANCES EXCEPT AS NOTED	CHKD	DATE
		MFO	DATE
		APPVL	DATE
MM	±		
.0 ±	±		
.00 ±	±		
.000 ±	±		
ANGLES ± 1'		G.E :	
THIRD ANGLE PROJECTION		FINISH :	
		SCALE : 1:1	

DEGSON 宁波高正电子有限公司
DEGSON ELECTRONICS CO., LTD

NAME
2EDGKLM-5.08-XXP-1Y-00A (H)

DRAWING NO. 2EDGKLM-5.08-E01 SIZE A3 REV TO 12/31/08"

DO NOT SCALE DRAWING SHEET OF