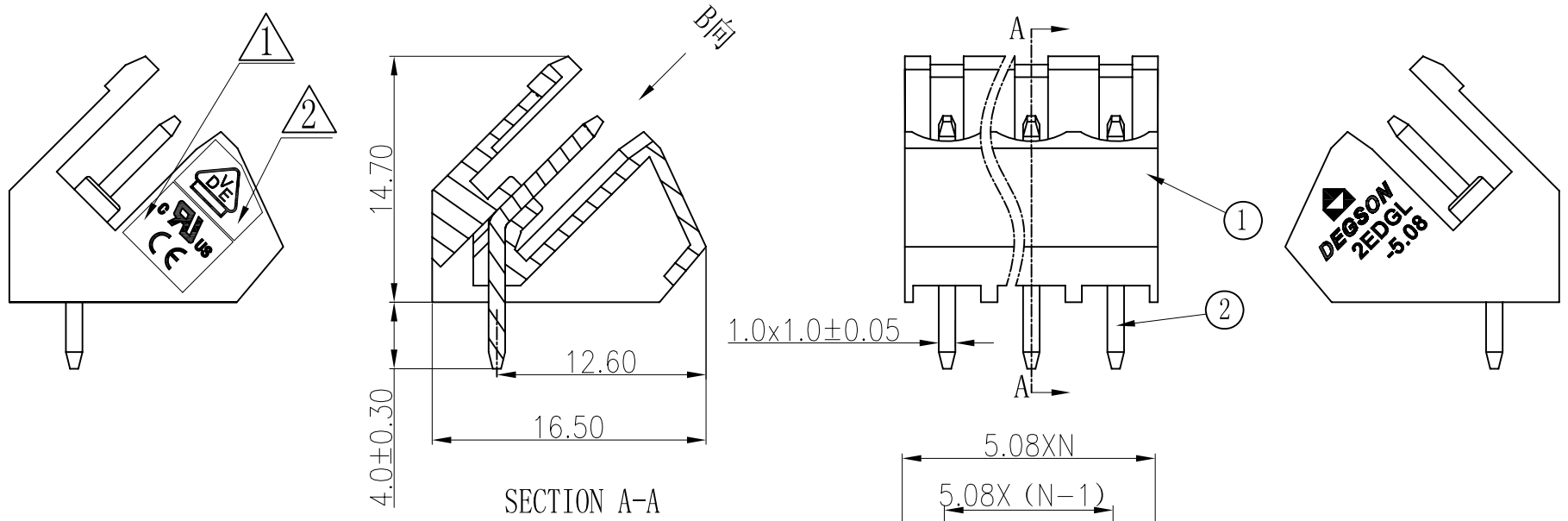


REVISION RECORD				
REV	ECN	DESCRIPTION	DRFT	DATE
△		增加UL, CE刻字	Zengy	11/28/08
△	10-0382	增加VDE刻字	ZXX	11/16/10



Notes:

- 1. Pitch:5.08mm , Poles:2-24P
- 2. Rated voltage/current:UL 300V/15A
VDE 320V/20A
- 3. Operation temperatures:-40℃~+105℃
- 4. Withstanding Voltage:AC2000V/1Min
- 5. Insulation Resistance:5000MΩ/DC1000V
- 6. Undimensioned Tolerances:

Pitch range in mm			Nominal dimension range in mm					—
to	over	over	to	over	over	over	over	
6	6 to 10	10 to 24	30	30 to 60	60 to 100	100 to 150	150	
±0.10	±0.15	±0.25	±0.2	±0.3	±0.5	±0.7	±1.0	0.05/10

B向视图

2	2EDGL-PIN	1181B00010(H)	XX	Brass	SnCe																													
1	2EDGL-5.08-HOUSING	1181A0YXXA(H)	1	PA66	UL94V-0																													
ITEM	NAME OF PART	NO. OF PART	Q"TY	MATERIAL	NOTES																													
<table border="1"> <thead> <tr> <th>MM (INCH)</th> <th>DFTO LIN</th> <th>DATE 08/31/07</th> </tr> </thead> <tbody> <tr> <td>←</td> <td>CHKD</td> <td>DATE</td> </tr> <tr> <td colspan="3">TOLERANCES EXCEPT AS NOTED</td> </tr> <tr> <td>MM</td> <td>±</td> <td></td> </tr> <tr> <td>.00 ±</td> <td>±</td> <td></td> </tr> <tr> <td>.000 ±</td> <td>±</td> <td></td> </tr> </tbody> </table>		MM (INCH)	DFTO LIN	DATE 08/31/07	←	CHKD	DATE	TOLERANCES EXCEPT AS NOTED			MM	±		.00 ±	±		.000 ±	±		<table border="1"> <thead> <tr> <th>DATE</th> <th>DATE</th> <th>DATE</th> </tr> </thead> <tbody> <tr> <td>MFO</td> <td>MFO</td> <td>MFO</td> </tr> <tr> <td>APPVL</td> <td>APPVL</td> <td>APPVL</td> </tr> </tbody> </table>			DATE	DATE	DATE	MFO	MFO	MFO	APPVL	APPVL	APPVL	<p>DEGSON 宁波高正电子有限公司 DEGSON ELECTRONICS CO., LTD</p> <p>NAME 2EDGL-5.08-XXP-1Y-00A(H)</p>		
MM (INCH)	DFTO LIN	DATE 08/31/07																																
←	CHKD	DATE																																
TOLERANCES EXCEPT AS NOTED																																		
MM	±																																	
.00 ±	±																																	
.000 ±	±																																	
DATE	DATE	DATE																																
MFO	MFO	MFO																																
APPVL	APPVL	APPVL																																
<table border="1"> <thead> <tr> <th>MM</th> <th>±</th> </tr> </thead> <tbody> <tr> <td>.00 ±</td> <td>±</td> </tr> <tr> <td>.000 ±</td> <td>±</td> </tr> </tbody> </table>		MM	±	.00 ±	±	.000 ±	±	<p>MATERIAL :</p> <p>G.E :</p> <p>FINISH :</p> <p>SCALE :</p>			<p>DRAWING NO. 2EDGL-5.08-E01</p> <p>/PART NO.</p> <p>SIZE A3</p> <p>REV T2 11/16/10</p>																							
MM	±																																	
.00 ±	±																																	
.000 ±	±																																	
<p>ANGLES ± 1'</p> <p>THIRD ANGLE PROJECTION</p>		<p>DO NOT SCALE DRAWING</p>			<p>SHEET 1 OF 1</p>																													