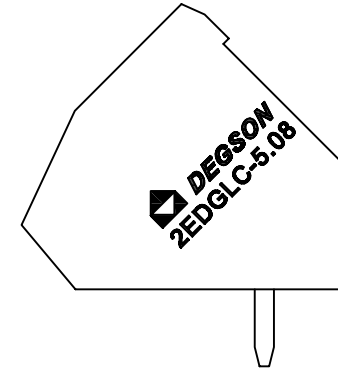


REVISION RECORD				
REV	ECN	DESCRIPTION	DRFT	DATE
△		增加LL, CE刻字	Zengy	11/28/08
△	10-0368	增加VDE刻字及参数	ZXX	11/10/10

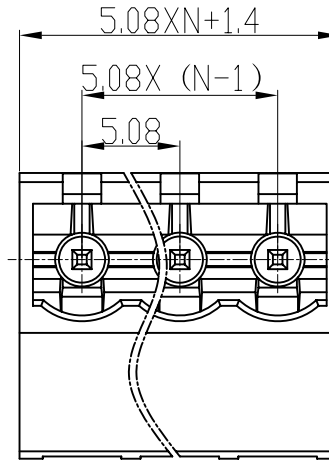


Notes:

1. Pitch: 5.08mm , Poles: 2-24P
2. Rated voltage/current: UL 300V/15A
VDE 320V/20A
3. Operation temperatures: -40°C ~ +105°C
4. Withstanding Voltage: AC2000V/1Min
5. Insulation Resistance: 5000MΩ / DC1000V
6. Undimensioned Tolerances:

Pitch range in mm			Nominal dimension range in mm					—
to	over	over	to	over	over	over	over	—
6	6	10	30	60	100	150		
±0.10	±0.15	±0.25	±0.2	±0.3	±0.5	±0.7	±1.0	0.05/10

B向视图 →



2	2EDGL-Pin	1181B00010 (H)	XX	Brass	SnCe
1	2EDGLC-5.08-Housing	1183A0YXXA (H)	1	PA66	UL94V-0
ITEM	NAME OF PART	NO. OF PART	Q"TY	MATERIAL	NOTES
TOLERANCES EXCEPT AS NOTED		DATE 08/31/07	宁波高正电子有限公司 DEGSON ELECTRONICS CO., LTD		
MM (INCH)		DATE	NAME		
TOLERANCES EXCEPT AS NOTED		DATE	2EDGLC-5.08-XXP-1Y-00A(H)		
TOLERANCES EXCEPT AS NOTED		DATE	DRAWING NO. 2EDGLC-5.08-E01		
TOLERANCES EXCEPT AS NOTED		DATE	/PART NO.		
TOLERANCES EXCEPT AS NOTED		DATE	SIZE A3		
TOLERANCES EXCEPT AS NOTED		DATE	REV T2		
TOLERANCES EXCEPT AS NOTED		DATE	11/10/10		
TOLERANCES EXCEPT AS NOTED		DATE	DO NOT SCALE DRAWING		
TOLERANCES EXCEPT AS NOTED		DATE	SHEET 1 OF 1		