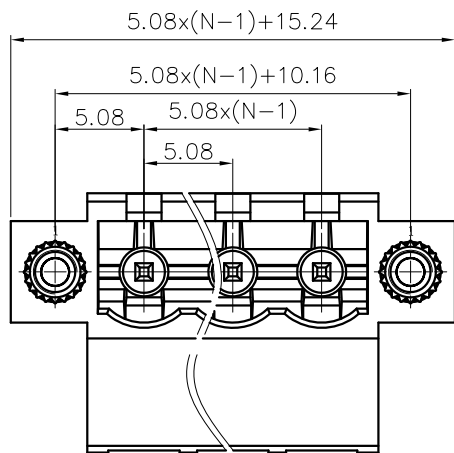
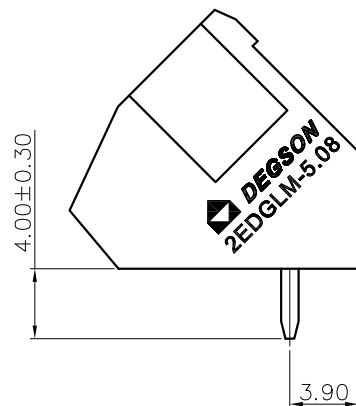
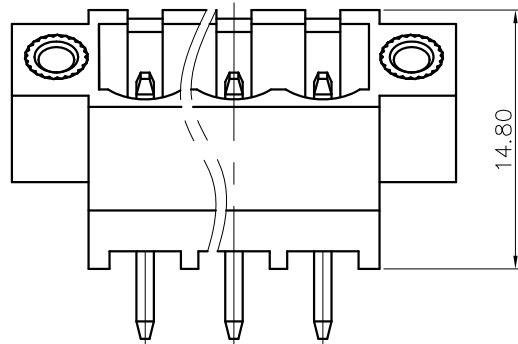
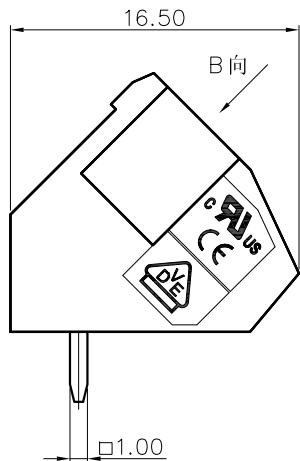
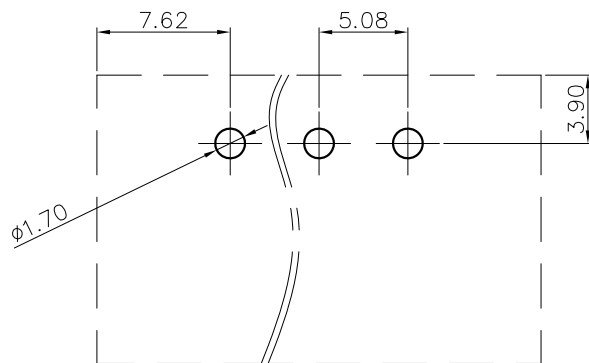


REVISION RECORD				
REV	ECN	DESCRIPTION	DRFT	DATE



VIEW B



PCB LAYOUT

NOTES1:

UL Standard

1.Rated voltage/current : 300V / 15A

2.Withstanding voltage : AC1600V/1Min.

IEC Standard

Pollution degree	2
Overvoltage category	III
Rate impulse voltage(KV)	4.0KV
Rate voltage(V)	320V
Rate current(A)	20A

NOTES2:

1.Dimension shall be interpreted per ASME Y14.5-2009

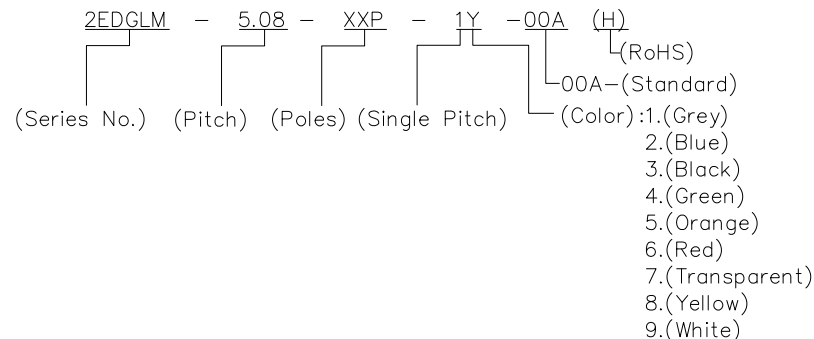
2.Pitch : 5.08mm, Poles : N=2~24P

3.Operating temperature: -40°C~+105°C

4.Undimensioned tolerances:

Pitch range in mm		Nominal dimension range in mm				
TO	Over TO	Over TO	Over TO	Over TO	Over TO	
6	6 TO 10	10 TO 24	30 TO 60	60 TO 100	100 TO 150	150
±0.15	±0.20	±0.30	±0.30	±0.50	±0.70	±1.00
						±1.30
						±2'

5.RoHS Compliance



DETACHED LISTS	PART NO.:	NINGBO DEGSON ELECTRICAL CO., LTD			
	APPD:	NAME: 2EDGLM-5.08-XXP-1Y-00A(H)			
	CHKD:	TITLE: CUSTOMER DRAWING		REV	D0
	DRFT:	DRAWING NO.:		SHEET	1/1
THIRD ANGLE PROJECTION		MM (INCH)	DO NOT SCALE DRAWING	SCALE	1:1