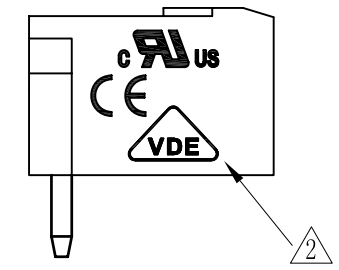
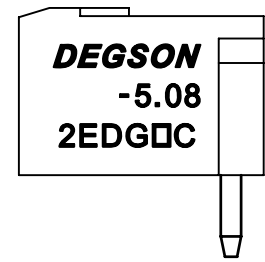
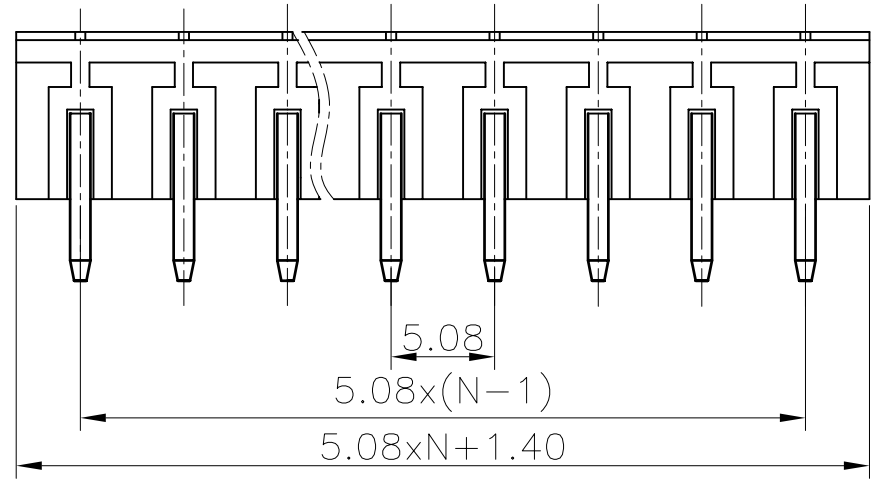
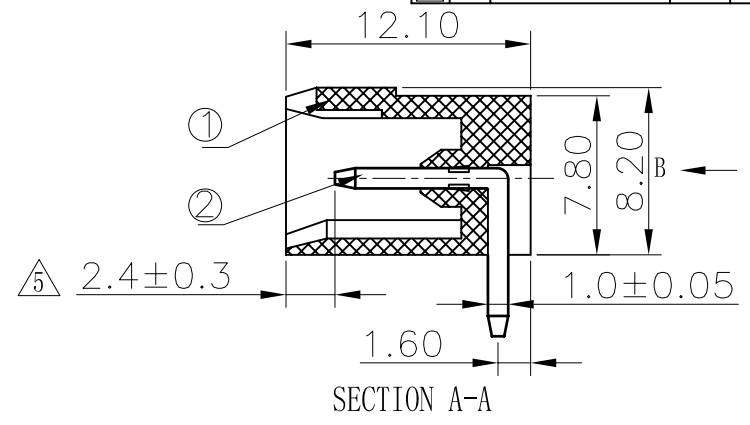
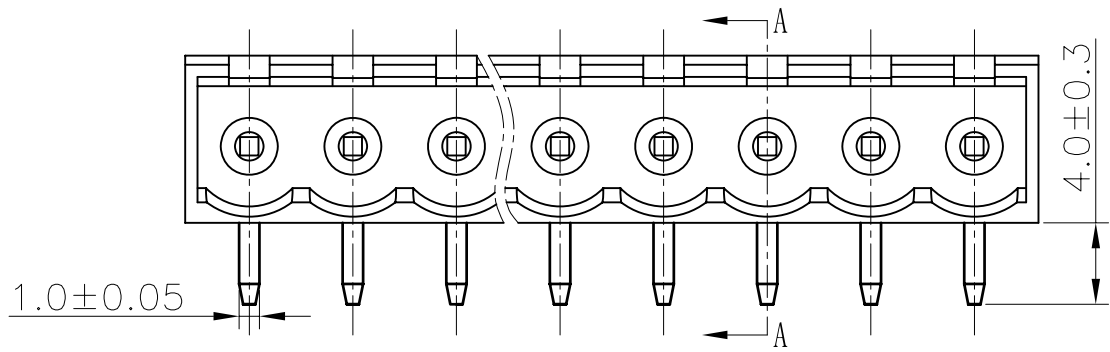


REVISION RECORD				
REV	ECO	DESCRIPTION	DRFT	DATE
1		Drawing emend	CSX	04/21/06*
2		增加VDE、CE刻字	YeJ	02/27/08*
3		图面更新	YeJ	03/28/08*
4		增加自动化方针	WLM	09/23/08*
5	10-0329	增加标注尺寸	COCO	10/04/10*



Notes:

- Pitch: 5.08mm, poles:2-24p
- Rated voltage/current:UL 300V/15A
VDE 320V/20A
- Operation temperatures:-40° C~+105° C
- Withstanding voltage: AC2000V/1min
- Insulation resistance:5000MΩ/DC1000V
- Undimensioned Tolerances:

Pitch range in mm		Nominal dimension range in mm						
to	over	to	over	to	over	to	over	
6	10	10	24	30	60	100	150	□
±0.10	±0.15	±0.25	±0.2	±0.3	±0.5	±0.7	±1.0	0.05/10

ITEM	NAME OF PART	NO. OF PART	Q"TY	MATERIAL	NOTES
2	2EDGR-Pin header	1008B00120 (H)	XX	Brass	Automatic assembly
2	2EDGR(A)Pin header	1008B00040 (H)	XX	Brass	Manual assembly
1	2EDGRC-5.08-Housing	1009A0YXXA (H)	1	PA66	UL94V-0

TOLERANCES EXCEPT AS NOTED		DFTO HW	DATE	DEGSON® 宁波高正电子有限公司 DEGSON ELECTRONICS CO., LTD	
MM	±	CHKD	DATE	NAME 2EDGRC-5.08-XXP-1Y-00A(H)	
.00 ±	±	MFO	DATE		
.000 ±	±	APPVL	DATE		
ANGLES ± 1°		G.E :		DRAWING NO. 2EDGRC-5.08-E06	
THIRD ANGLE PROJECTION		FINISH :		/PART NO.	
		SCALE : 1:1		DO NOT SCALE DRAWING	
				SHEET 1 OF 1	

由 Autodesk 教育版产品制作

由 Autodesk 教育版产品制作