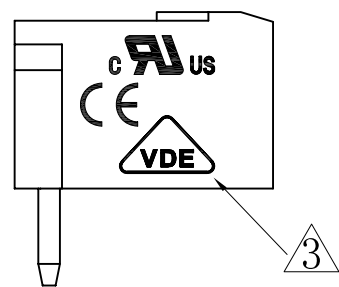
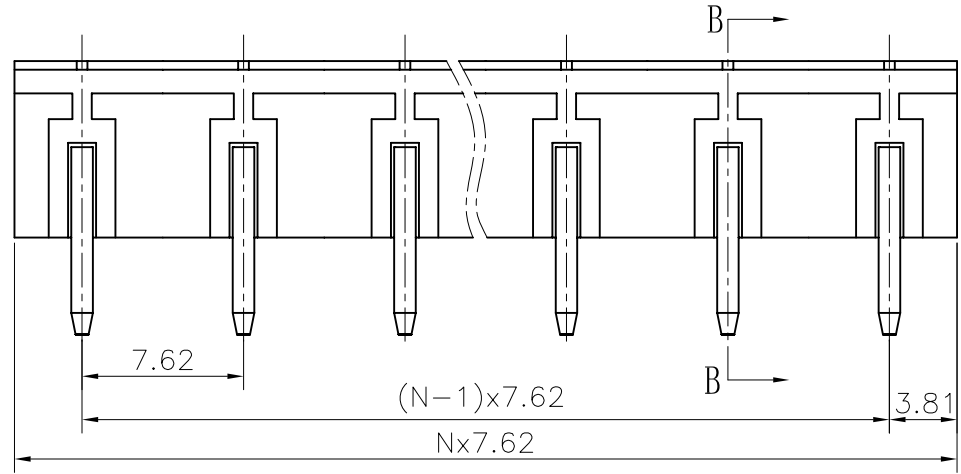
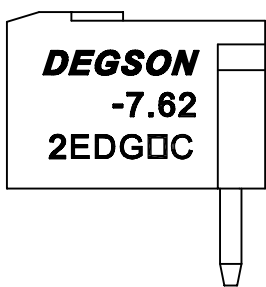
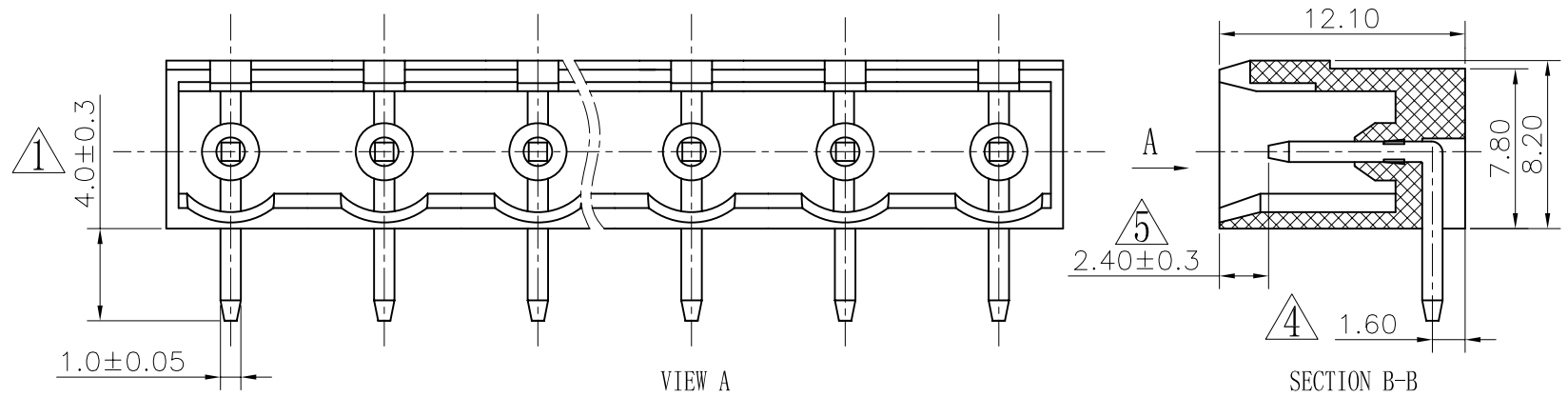


REVISION RECORD				
REV	ECO	DESCRIPTION	DRFT	DATE
△		4.5±0.1变更到4.0±0.3	DZJ	06/14/05
△		图画更新	C SX	04/25/06
△		增加VDE、CE标志	Ye j	02/27/08
△		更新图画	LJH	04/16/08
△	10-0329	增加标注尺寸	COCO	10/05/10



- Notes:
1. Pitch:7.62mm , Poles:2-24P
 2. Rated voltage/current:UL 300V/15A
VDE 400V/20A
 3. Operation temperatures:-40℃~+105℃
 4. Withstanding Voltage:AC2000V/1min
 5. Insulation Resistance:5000MΩ/DC1000V
 6. Undimensioned Tolerances:

Pitch range in mm			Nominal dimension range in mm					
	over 6	over 10	over 30	over 60	over 100	over 150		
to 6	to 10	to 24	to 30	to 60	to 100	to 150	∩	
							□	
±0.10	±0.15	±0.25	±0.2	±0.3	±0.5	±0.7	±1.0	
							0.05/10	

2	2EDGR Pin header	1008B00040 (H)	XX	Brass	SnCe
1	2EDGRC-7.62-Housing	1023A0YXXA (H)	1	PA66	UL94V-0
ITEM	NAME OF PART	NO. OF PART	Q'TY	MATERIAL	NOTES
	MM (INCH)	DFTO Zhuwm	DATE 08/02/04	宁波高正电子有限公司 DEGSON ELECTRONICS CO., LTD NAME 2EDGRC-7.62-XXP-1Y-00A(H) DRAWING NO. 2EDGRC-7.62-E01 /PART NO. SIZE A3 REV T5 10/05/10*	
TOLERANCES EXCEPT AS NOTED		CHKD	DATE		
MM .00 ± ± .000 ± ±		MFO	DATE		
APPLY		DATE			
ANGLES ± 1°		MATERIAL :		G.E :	
THIRD ANGLE PROJECTION		FINISH :		SCALE : 1:1	
DO NOT SCALE DRAWING			SHEET 1 OF 1		