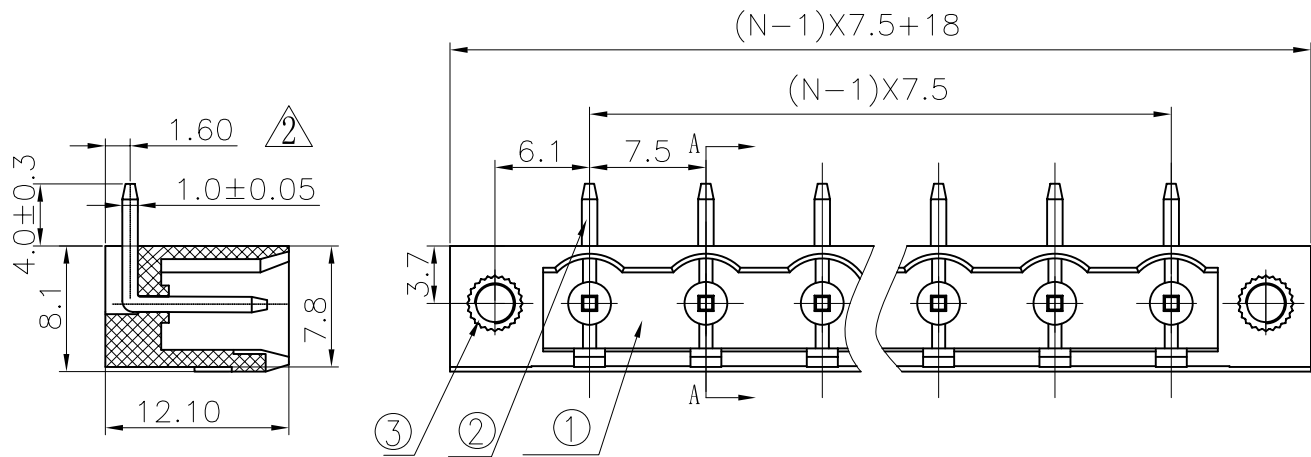
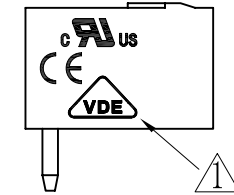
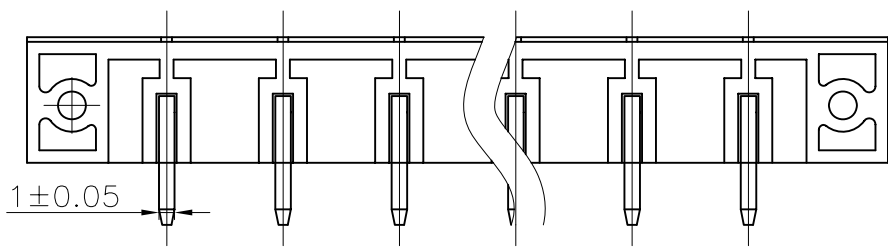
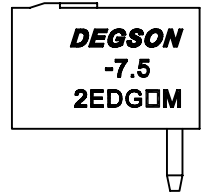


| REVISION RECORD | | | | |
|-----------------|-----|-------------|------|-----------|
| REV | ECO | DESCRIPTION | DRFT | DATE |
| △ | | 增加VDE、CE刻字 | YeJ | 02/29/08* |
| △ | | 更新图面 | LJH | 04/16/08* |



- Notes:
1. Pitch: 7.5mm , Poles: 2-22P
 2. Rated voltage/current: UL 300V/15A
VDE 400V/20A
 3. Operation temperatures: -40°C ~ +105°C
 4. Withstanding Voltage: AC2000V/1Min
 5. Insulation Resistance: 5000MΩ / DC1000V
 6. Undimensioned Tolerances:

| Pitch range in mm | | Nominal dimension range in mm | | | | | | |
|-------------------|--------------|-------------------------------|-------|---------------|----------------|-----------------|----------|--|
| to 6 | over 6 to 10 | over 10 to 24 | to 30 | over 30 to 60 | over 60 to 100 | over 100 to 150 | over 150 | |
| ±0.10 | ±0.15 | ±0.25 | ±0.2 | ±0.3 | ±0.5 | ±0.7 | ±1.0 | |
| | | | | | | | 0.05/10 | |



| | | | | | |
|---|------------------------------------|----------------|----|-------|------|
| 3 | 2EDGR (A) -Pin header (1*8.25*8.7) | 1008B00040 (H) | XX | Brass | SnCe |
| 2 | 2EDG-Screw cap | S000000040 (H) | 2 | Brass | |

| 1 | 2EDGRM-7.5-Housing | 1058A0YXXA (H) | 1 | PA66 | UL94V-0 |
|----------------------|----------------------------|----------------|----------------|---|---------|
| ITEM | NAME OF PART | NO. OF PART | Q"TY | MATERIAL | NOTES |
| DETACHED LISTS | ← MM (INCH) → | DFTO Yangys | DATE 06/16/06* | 宁波高正电子有限公司 DEGSON ELECTRONICS CO., LTD NAME 2EDGRM-7.5-XXP-1Y-00A (H) DRAWING NO. 2EDGRM-7.5-E01 /PART NO. | |
| | TOLERANCES EXCEPT AS NOTED | CHKD | DATE | | |
| | | MFO | DATE | | |
| | | APPVL | DATE | | |
| | | MATERIAL : | | | |
| | ANGLES ± 1° | G.E : | | | |
| | THIRD ANGLE PROJECTION | FINISH : | | | |
| | | SCALE : | | | |
| DO NOT SCALE DRAWING | | | | SHEET 1 | OF 1 |