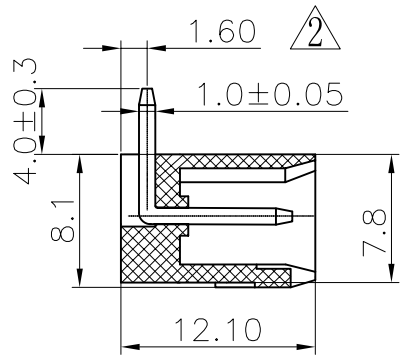
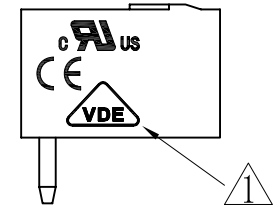
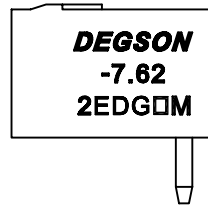
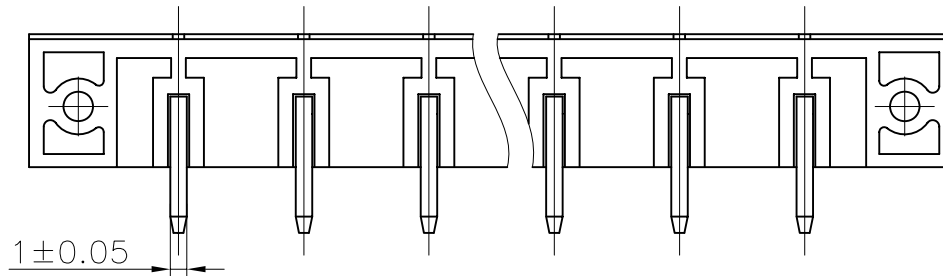
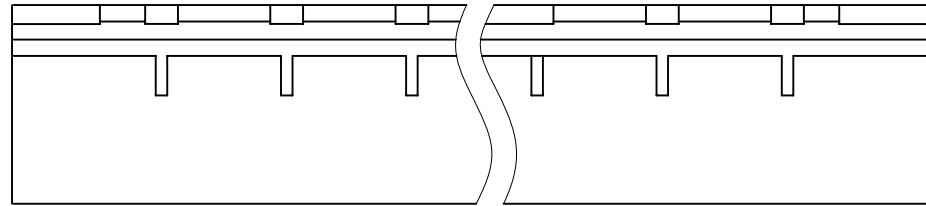
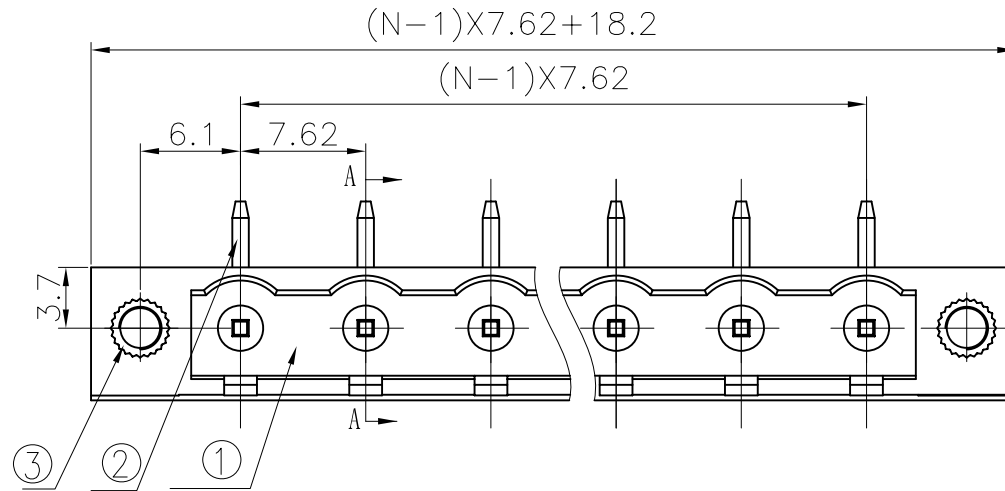


REVISION RECORD				
REV	ECO	DESCRIPTION	DRFT	DATE
△		增加CE、VDE刻字	YeJ	02/29/08
△		更新图面	LJH	04/16/08



SECTION A-A



Notes:

1. Pitch: 7.62mm, Poles: 2-22P
2. Rated voltage/current: UL 300V/15A  
VDE 400V/15A
3. Operation temperatures: -40°C ~ +105°C
4. Withstanding Voltage: AC2000V/1min
5. Insulation Resistance: 5000MΩ / DC1000V
6. Undimensioned Tolerances:

Pitch range in mm		Nominal dimension range in mm				
to	over	to	over	to	over	
6	6 to 10	30	30 to 60	100	100 to 150	∩
±0.10	±0.15	±0.25	±0.2 ± 0.3	±0.5	±0.7 ± 1.0	∇

1	2EDGRM-7.62-Housing	1060A0YXXA (H)	1	PA66	UL94V-0
ITEM	NAME OF PART	NO. OF PART	Q'TY	MATERIAL	NOTES
DETACHED LISTS	MM (INCH)	DFTO Yangys	DATE 06/16/06"	宁波高正电子有限公司 DEGSON ELECTRONICS CO., LTD NAME 2EDGRM-7.62-XXP-1Y-00A (H)	
	TOLERANCES EXCEPT AS NOTED	CHKD	DATE		
		MFO	DATE		
		APPVL	DATE		
	MM	±	MATERIAL :	DRAWING NO. 2EDGRM-7.62-E01 /PART NO. DO NOT SCALE DRAWING	
	.0 ±	±	G.E :		
	.00 ±	±	FINISH :		
	.000 ±	±	SCALE :	SIZE A3 REV T2 04/16/08	
	ANGLES ± 1°			SHEET 1 OF 1	
	THIRD ANGLE PROJECTION				

3	2EDGR(A)-Pin header(1*8.25*8.7)	1008B00040 (H)	XX	Brass	SnCe
2	2EDG-Screw cap	S000000040 (H)	2	Brass	