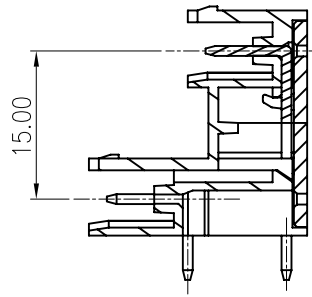
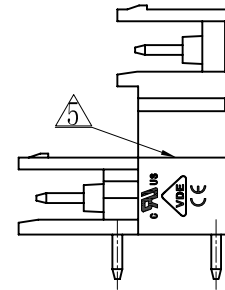
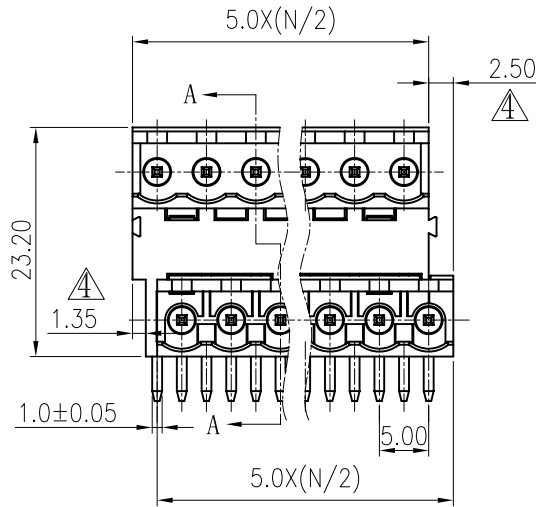
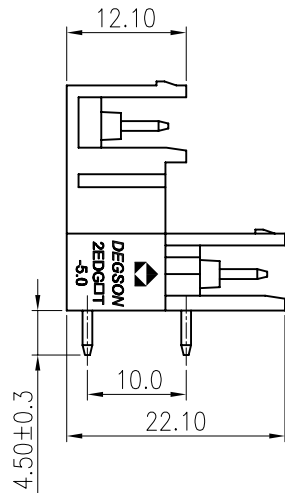
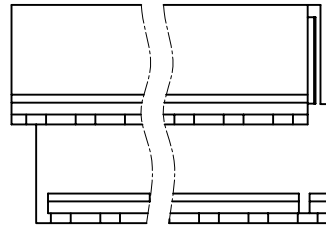


REVISION RECORD					
REV	ECO	DESCRIPTION	DRFT	DATE	
△1		2EDGRH-pin → 2EDGRH-short pin 1032B00040 → 1061B00030	DZJ	08/27/05*	
△2		Drawing emend	WF	02/23/06*	
△3		增加UL刻字	CSX	08/31/07*	
△4		依客户要求增加标注	AheadJu	02/15/08*	
△5		增加VDE刻字	WLM	11/03/08*	
△6		修改“4-24P”为“4-48P”	LJH	01/07/09*	



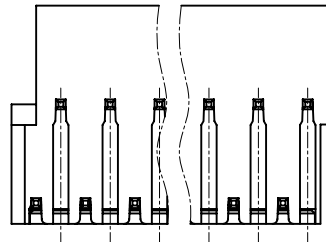
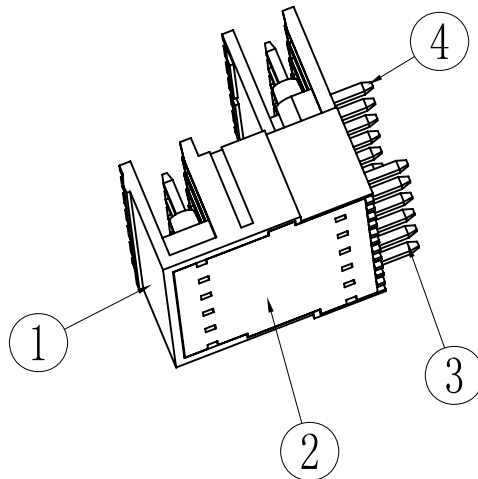
SECTION A-A



Notes:

- Pitch: 5.0mm, Poles: 4-48P (Even) △6
- Rated voltage/current: UL 300V/15A
VDE 320V/10A
- Operation temperatures: -40° C ~ +105° C
- Withstanding voltage: AC2000V/1Min
- Insulation resistance: 5000MΩ/1000V
- Undimensioned Tolerances:

Pitch range in mm		Nominal dimension range in mm					—					
to	over	to	over	to	over	to						
6	6	10	10	30	30	60	60	100	100	150	150	∅
±0.10	±0.15	±0.25	±0.2	±0.3	±0.5	±0.7	±1.0	0.05/10				



ITEM	NAME OF PART	NO. OF PART	Q'TY	MATERIAL	NOTES
4	2EDGRH-short pin	1061B00030 (H)	XX/2	Brass	SnCe
3	2EDGRT-long pin	1032B00020 (H)	XX/2	Brass	SnCe
2	2EDGVT-5.0-XXP Cover	1032COYXXA (H)	1	PA66	UL94V-0
1	2EDGVT-5.0-XXP Housing	1032AOYXXA (H)	1	PA66	UL94V-0

DETACHED LISTS	MM (INCH)	DFTO WYP	DATE 09/18/04*	宁波高正电子有限公司 DEGSON ELECTRONICS CO., LTD
	TOLERANCES EXCEPT AS NOTED	CHKD	DATE	
		MFO	DATE	
		APPVL	DATE	
	MM	±		MATERIAL :
	.00 ±	±		
	.000 ±	±		
	ANGLES ± 1°	G.E :		NAME 2EDGRT-5.0-XXP-1Y-00A(H)
	THIRD ANGLE PROJECTION	FINISH :		DRAWING NO. 2EDGRT-5.0-E02
		SCALE :		/PART NO.
				DO NOT SCALE DRAWING
				SHEET 1 OF 1