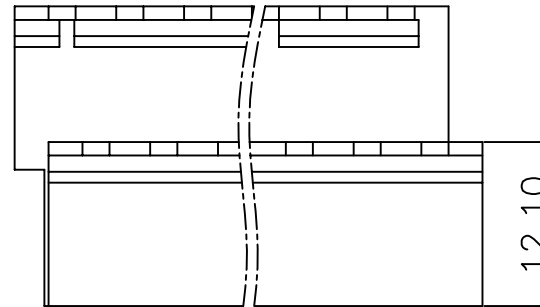
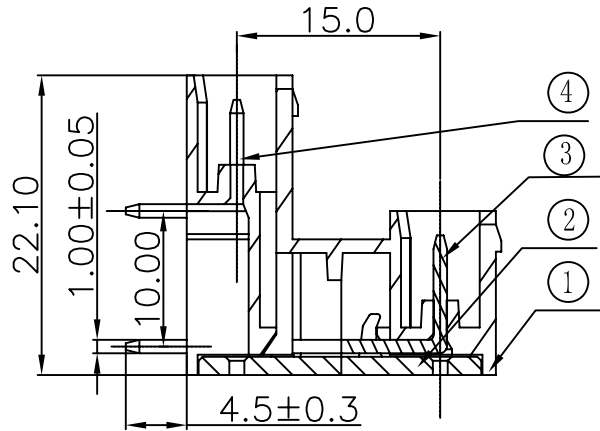
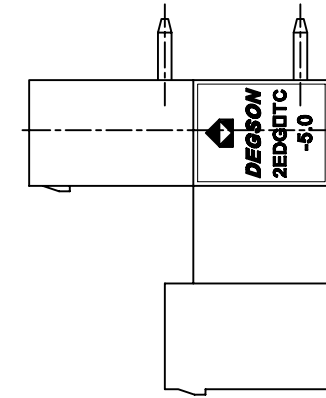
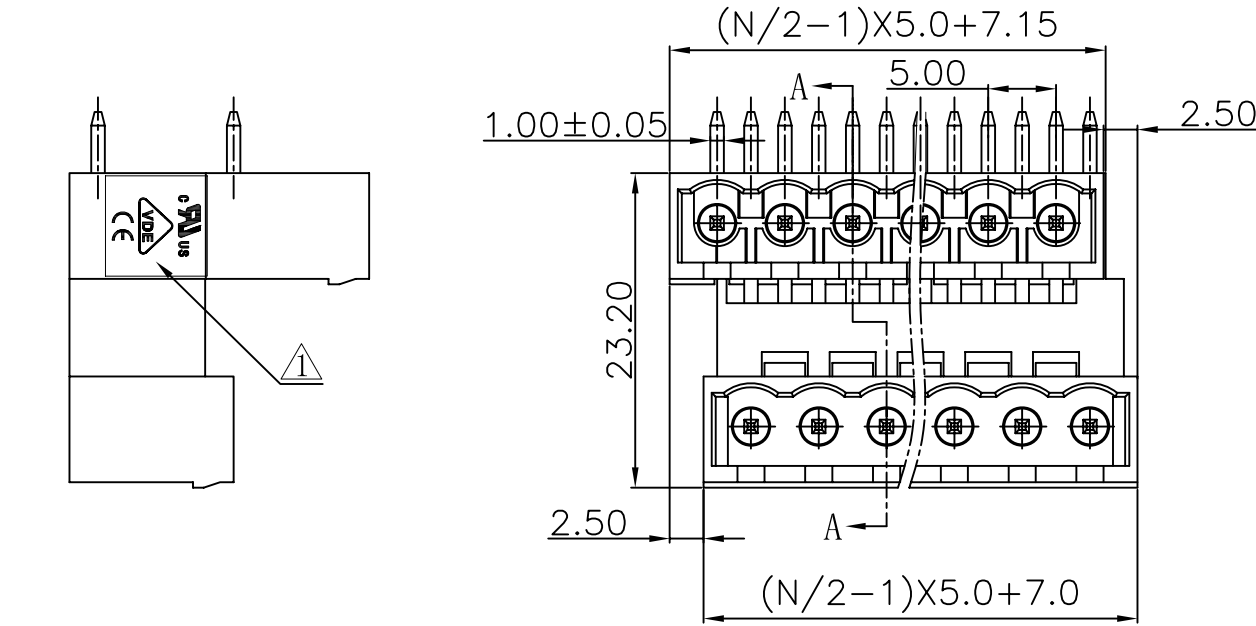


REVISION RECORD					
REV	ECO	DESCRIPTION	DRFT	DATE	
△		增加VDE刻字	Zengy	11/12/08	



Notes:

1. Pitch:5.0mm , Poles: One-block for 4-24P  
Inter locking for 24-48P
2. Rated voltage/current:UL 300V/15A  
VDE 320V/10A
3. Operation temperatures:-40℃~+105℃
4. Withstanding Voltage:AC2000V/1Min
5. Insulation Resistance:5000MΩ /DC1000V
6. Undimensioned Tolerances:

Pitch range in mm		Nominal dimension range in mm					
to	over	to	over	over	over	over	
6	6 to 10	10 to 24	30 to 60	60 to 100	100 to 150	150	∩ ◇
±0.10	±0.15	±0.25	±0.2	±0.3	±0.5	±0.7	±1.0
							0.05/10

SECTION A-A

4	2EDGRH-short pin	1061B00030(H)	XX/2	Brass	SnCe
3	2EDGRT-long pin	1032B00020(H)	XX/2	Brass	SnCe
2	2EDGRT-5.0-Cover	1032COY( $\frac{XX}{2}$ & $\frac{XX}{2}+1$ )A(H)	1	PA66	>24P
	2EDGRT-5.0-Cover	1032COY( $\frac{XX}{2}$ & $\frac{XX}{2}-1$ )A(H)	1	PA66	
	2EDGRT-5.0 Cover	1032COYXXA(H)	1	PA66	≤24P

1	2EDGRTC-5.0 housing(Right foot)	1072AOY( $\frac{XX}{2}$ & $\frac{XX}{2}+1$ )C(H)	1	PA66	>24P																											
	2EDGRTC-5.0 housing(Left foot)	1072AOY( $\frac{XX}{2}$ & $\frac{XX}{2}-1$ )B(H)	1	PA66																												
		2EDGRTC-5.0 Housing	1072AOYXXA(H)	1	PA66	≤24P																										
ITEM	NAME OF PART	NO. OF PART	Q'TY	MATERIAL	NOTES																											
<table border="1"> <thead> <tr> <th>MM (INCH)</th> <th>DFTO Apple</th> <th>DATE 06/21/06*</th> </tr> </thead> <tbody> <tr> <td>TOLERANCES EXCEPT AS NOTED</td> <td>CHKD</td> <td>DATE</td> </tr> <tr> <td></td> <td>MFO</td> <td>DATE</td> </tr> <tr> <td></td> <td>APPVL</td> <td>DATE</td> </tr> </tbody> </table>		MM (INCH)	DFTO Apple	DATE 06/21/06*	TOLERANCES EXCEPT AS NOTED	CHKD	DATE		MFO	DATE		APPVL	DATE	<p style="text-align: right;"><b>DEGSON</b><sup>®</sup> 宁波高正电子有限公司 DEGSON ELECTRONICS CO., LTD</p> <p>NAME <b>2EDGRTC-5.0-XXP-1Y-00A(H)</b></p>																		
MM (INCH)	DFTO Apple	DATE 06/21/06*																														
TOLERANCES EXCEPT AS NOTED	CHKD	DATE																														
	MFO	DATE																														
	APPVL	DATE																														
<table border="1"> <thead> <tr> <th>MM</th> <th>±</th> </tr> </thead> <tbody> <tr> <td>.0 ±</td> <td>±</td> </tr> <tr> <td>.00 ±</td> <td>±</td> </tr> <tr> <td>.000 ±</td> <td>±</td> </tr> </tbody> </table>		MM	±	.0 ±	±	.00 ±	±	.000 ±	±	<table border="1"> <thead> <tr> <th>ANGLES ± 1'</th> <th>G.E :</th> </tr> </thead> <tbody> <tr> <td></td> <td></td> </tr> </tbody> </table>		ANGLES ± 1'	G.E :			<table border="1"> <thead> <tr> <th>FINISH :</th> <th>SCALE :</th> </tr> </thead> <tbody> <tr> <td></td> <td></td> </tr> </tbody> </table>		FINISH :	SCALE :			<table border="1"> <thead> <tr> <th>DRAWING NO.</th> <th>SIZE</th> <th>REV</th> </tr> </thead> <tbody> <tr> <td>2EDGRTC-5.0-E02</td> <td>A3</td> <td>T1</td> </tr> <tr> <td>/PART NO.</td> <td></td> <td>11/12/08*</td> </tr> </tbody> </table>		DRAWING NO.	SIZE	REV	2EDGRTC-5.0-E02	A3	T1	/PART NO.		11/12/08*
MM	±																															
.0 ±	±																															
.00 ±	±																															
.000 ±	±																															
ANGLES ± 1'	G.E :																															
FINISH :	SCALE :																															
DRAWING NO.	SIZE	REV																														
2EDGRTC-5.0-E02	A3	T1																														
/PART NO.		11/12/08*																														
<table border="1"> <thead> <tr> <th>THIRD ANGLE PROJECTION</th> </tr> </thead> <tbody> <tr> <td></td> </tr> </tbody> </table>			THIRD ANGLE PROJECTION		<table border="1"> <thead> <tr> <th>DO NOT SCALE DRAWING</th> <th>SHEET 1 OF 1</th> </tr> </thead> <tbody> <tr> <td></td> <td></td> </tr> </tbody> </table>		DO NOT SCALE DRAWING	SHEET 1 OF 1																								
THIRD ANGLE PROJECTION																																
DO NOT SCALE DRAWING	SHEET 1 OF 1																															