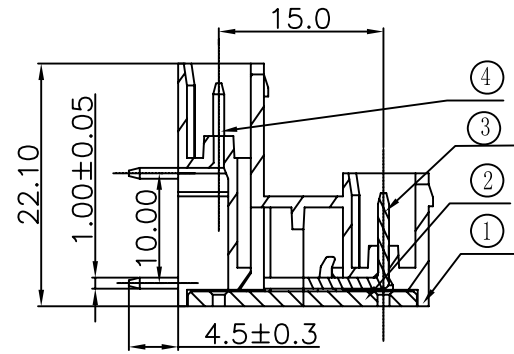
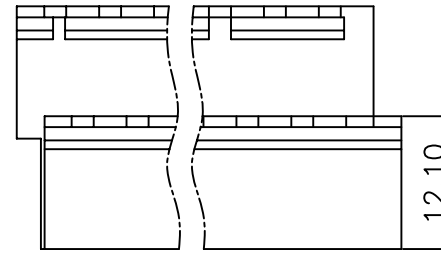


REVISION RECORD					
REV	ECO	DESCRIPTION	DRFT	DATE	
△		品名、料号增加环保标示“(H)”	LJH	12/11/07	
△		增加VDE刻字	Zengy	11/12/08	



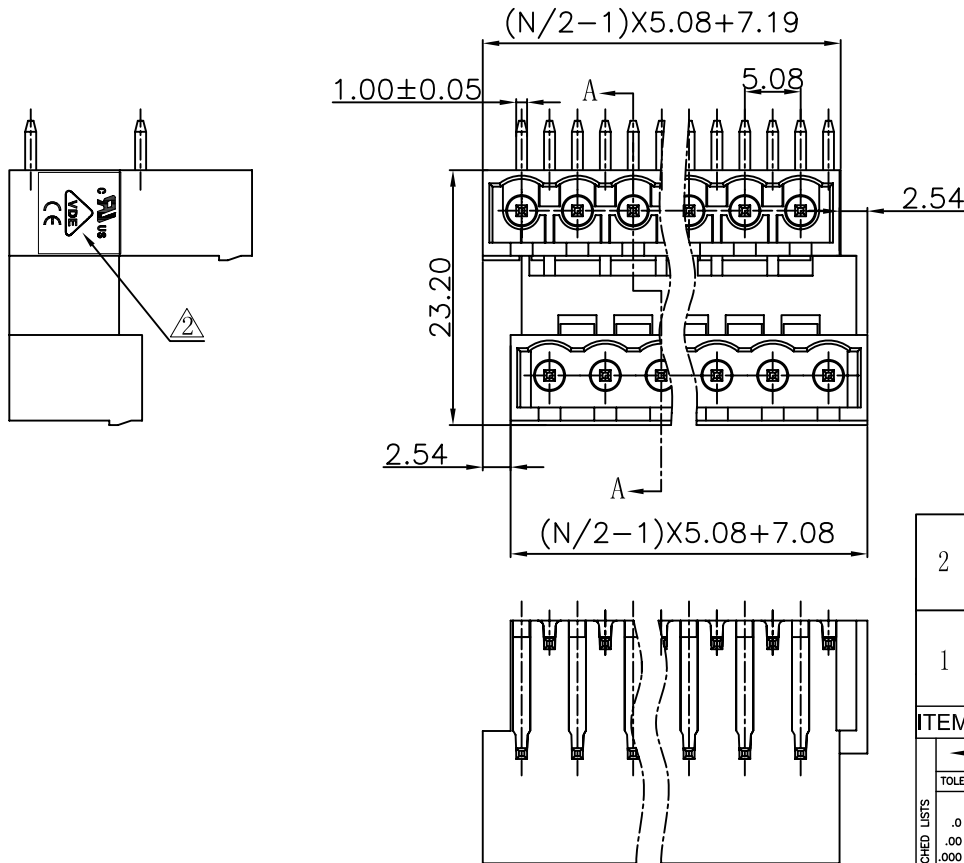
SECTION A-A



Notes:

- Pitch: 5.08mm, Poles: One-block for 4-24P
Inter locking for 24-48P
- Rated voltage/current: UL 300V/15A
VDE 320V/10A
- Operation temperatures: -40°C ~ +105°C
- Withstanding Voltage: AC2000V/1Min
- Insulation Resistance: 5000MΩ/DC1000V
- Undimensioned Tolerances:

Pitch range in mm		Nominal dimension range in mm						
to 6	over 6 to 10	over 10 to 24	to 30	over 30 to 60	over 60 to 100	over 100 to 150	—	
±0.10	±0.15	±0.25	±0.2	±0.3	±0.5	±0.7	±1.0 0.05/10	



ITEM	NAME OF PART	NO. OF PART	Q'TY	MATERIAL	NOTES
2	2EDGRT-5.08-Cover	1056COY ($\frac{N}{2} & \frac{N}{2} + 1$) A (H)	1	PA66	>24P
	2EDGRT-5.08-Cover	1056COY ($\frac{N}{2} & \frac{N}{2} - 1$) A (H)	1	PA66	
	2EDGRT-5.08 cover	1056COYXXA (H)	1	PA66	≤24P
1	2EDGRTC-5.08 housing (Right foot)	1073AOY ($\frac{N}{2} & \frac{N}{2} + 1$) C (H)	1	PA66	>24P
	2EDGRTC-5.08 housing (Left foot)	1073AOY ($\frac{N}{2} & \frac{N}{2} - 1$) B (H)	1	PA66	
	2EDGRTC-5.08 Housing	1073AOYXXA (H)	1	PA66	≤24P

4	2EDGRH-Short pin	1061B00030 (H)	XX/2	Brass	SnCe
3	2EDGRT-Long pin	1032B00020 (H)	XX/2	Brass	SnCe

DEGSON 宁波高正电子有限公司
DEGSON ELECTRONICS CO., LTD

NAME: 2EDGRTC-5.08-XXP-1Y-00A(H)

DRAWING NO. 2EDGRTC-5.08-E01 SIZE A3 REV T2 11/12/08

FINISH: /PART NO.

SCALE: DO NOT SCALE DRAWING SHEET 1 OF 1