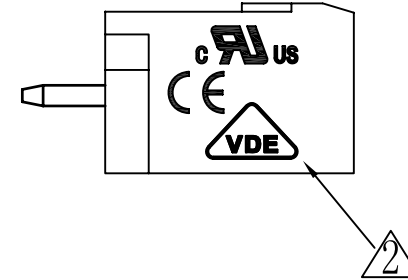
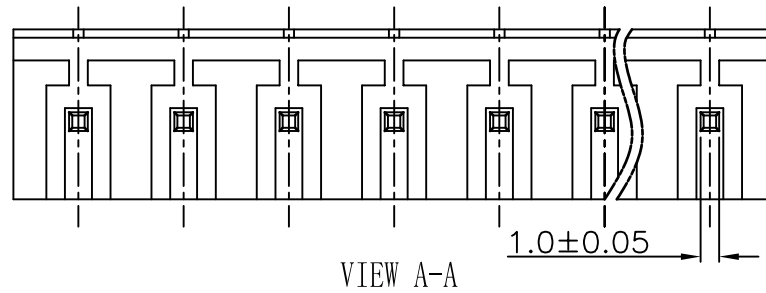
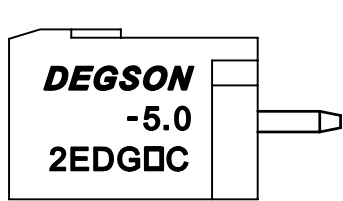
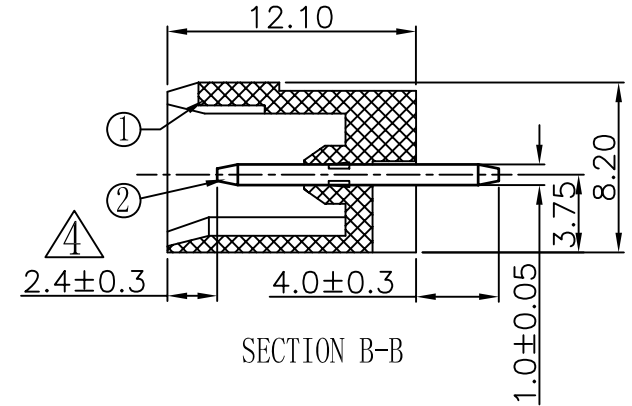
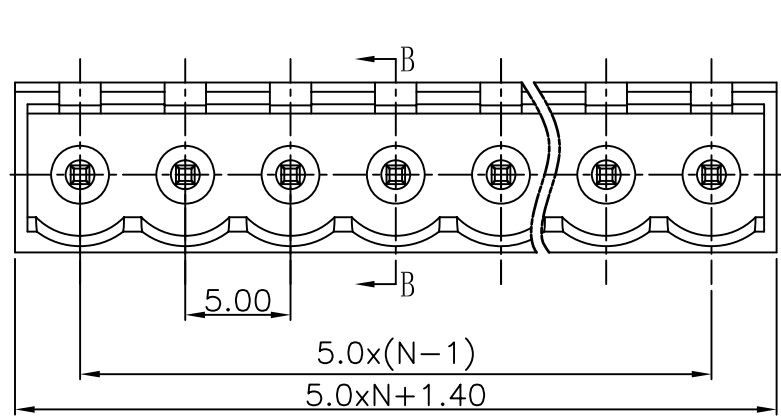


REVISION RECORD				
REV	ECO	DESCRIPTION	DRFT	DATE
1		图面更新	C.SX	05/05/06
2		增加VDE、CE刻字	Ye j	02/27/08*
3		增加自动化方针	WLM	09/24/08*
4	10-0329	增加标注尺寸	COCO	10/07/10*



Notes:

- Pitch:5.0mm, Poles:2-24p
- Rated voltage/current:UL 300V/15A
VDE 320V/20A
- Operation temperatures:-40° C~+105° C
- Withstanding voltage: AC2000V/1Min
- Insulation resistance:5000MΩ/DC1000V
- Undimensioned Tolerances:

Pitch range in mm			Nominal dimension range in mm					
	over 6	over 10	over 30	over 60	over 100	over 150		
to 6	to 10	to 24	to 30	to 60	to 100	to 150	□	
±0.10	±0.15	±0.25	±0.2	±0.3	±0.5	±0.7	±1.0	
							0.05/10	

2	2EDGV-Pin header	1007B00010 (H)	XX	Brass	Automatic assembly
2	2EDGV-Pin header	1007B00030 (H)	XX	Brass	Manual assembly
1	2EDGVC-5.0 Housing	1019A0YXXA (H)	1	PA66	UL94V-0
ITEM	NAME OF PART	NO. OF PART	Q'TY	MATERIAL	NOTES

DETACHED LISTS	MM (INCH)	DFTO Zhuwm	DATE 07/24/04	宁波高正电子有限公司 DEGSON ELECTRONICS CO., LTD
	TOLERANCES EXCEPT AS NOTED	CHKD	DATE	
		MFO	DATE	
		APPVL	DATE	
	NAME	2EDGVC-5.0-XXP-1Y-00A(H)		
	DRAWING NO. 2EDGVC-5.0-E01	SIZE A3	REV T4	10/07/10*
	/PART NO.			
	SCALE : 1:1	DO NOT SCALE DRAWING		SHEET 1 OF 1