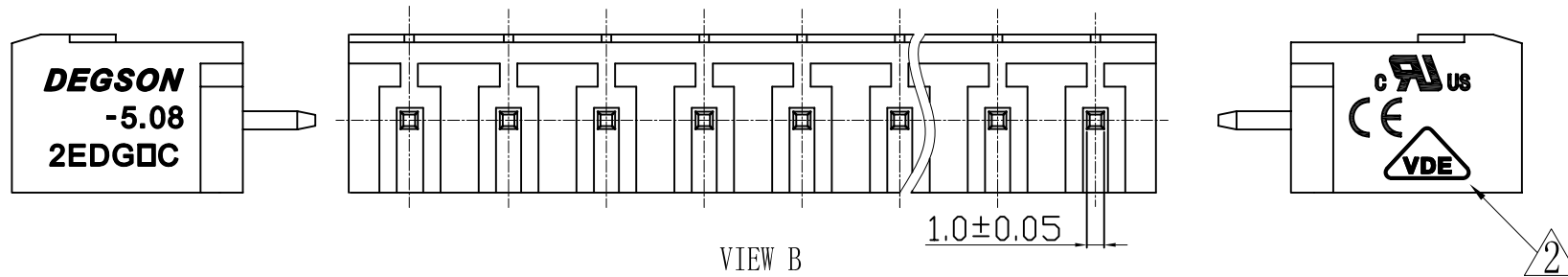
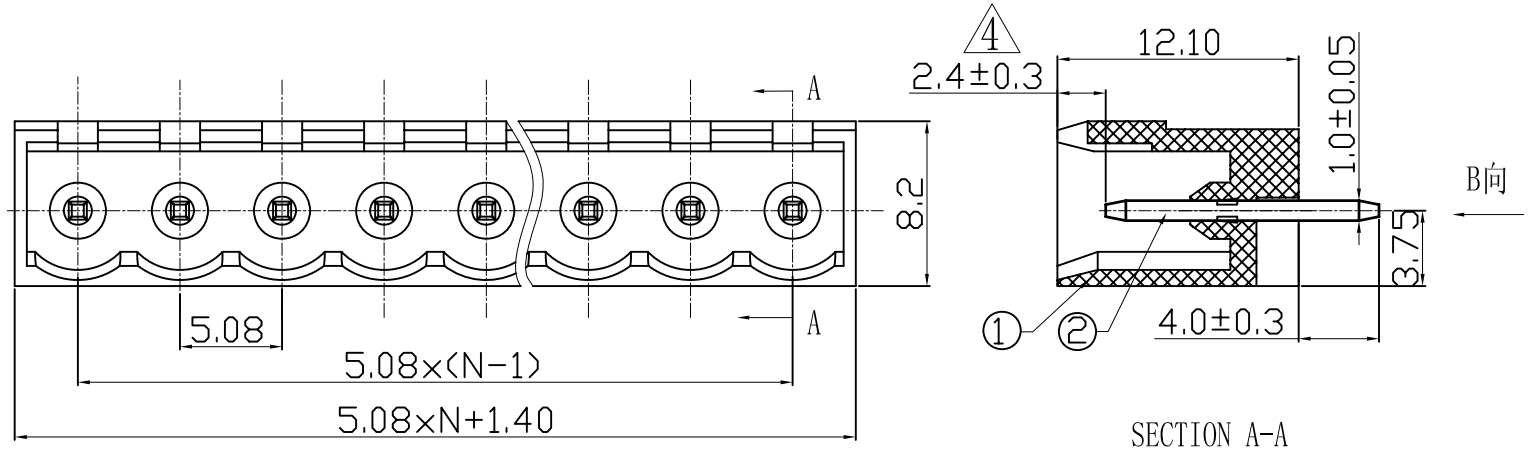


REVISION RECORD				
REV	ECD	DESCRIPTION	DRFT	DATE
△		图面更新	CSX	05/06/06
△		增加VDE、CE刻字	Ye j	02/28/08*
△		增加自动化方针	WLM	09/23/08*
△	10-0329	增加标注尺寸	COCO	10/09/10*



Notes:

1. Pitch: 5.08mm, Poles: 2-24P
2. Rated voltage/current: UL 300V/15A VDE 320V/20A
3. Operation temperatures: -40° C ~ +105° C
4. Withstanding voltage: AC2000V/1Min
5. Insulation resistance: 5000MΩ/DC1000V
6. Undimensioned Tolerances:

Pitch range in mm		Nominal dimension range in mm						
to	over	to	over	over	over	over		
6	10	10	24	30	60	100	150	
±0.10	±0.15	±0.25	±0.2	±0.3	±0.5	±0.7	±1.0	0.05/10

2	2EDGV-Pin header	△ 1007B00010 (H)	XX	Brass	Automatic assembly																																
2	2EDGV-Pin header	1007B00030 (H)	XX	Brass	Manual assembly																																
1	2EDGVC-5.08 Housing	1009A0YXXA (H)	1	PA66	UL94V-0																																
ITEM	NAME OF PART	NO. OF PART	Q'TY	MATERIAL	NOTES																																
<table border="1"> <thead> <tr> <th>MM (INCH)</th> <th>DFTD HW</th> <th>DATE 08/23/05'</th> </tr> </thead> <tbody> <tr> <td>TOLERANCES EXCEPT AS NOTED</td> <td>CHKD</td> <td>DATE</td> </tr> <tr> <td>MM</td> <td>MFD</td> <td>DATE</td> </tr> <tr> <td>.0 ±</td> <td>APPVL</td> <td>DATE</td> </tr> <tr> <td>.00 ±</td> <td></td> <td></td> </tr> <tr> <td>.000 ±</td> <td></td> <td></td> </tr> </tbody> </table>		MM (INCH)	DFTD HW	DATE 08/23/05'	TOLERANCES EXCEPT AS NOTED	CHKD	DATE	MM	MFD	DATE	.0 ±	APPVL	DATE	.00 ±			.000 ±			<table border="1"> <thead> <tr> <th colspan="2">DEGSON® 宁波高正电子有限公司</th> </tr> <tr> <th colspan="2">DEGSON ELECTRONICS CO., LTD</th> </tr> </thead> <tbody> <tr> <td colspan="2">NAME</td> </tr> <tr> <td colspan="2">2EDGVC-5.08-XXP-1Y-00A(H)</td> </tr> <tr> <td>DRAWING NO. 2EDGVC-5.08-E06</td> <td>SIZE</td> </tr> <tr> <td>/PART NO.</td> <td>A3</td> </tr> <tr> <td>DD NOT SCALE DRAWING</td> <td>REV T4 10/09/10*</td> </tr> </tbody> </table>				DEGSON® 宁波高正电子有限公司		DEGSON ELECTRONICS CO., LTD		NAME		2EDGVC-5.08-XXP-1Y-00A(H)		DRAWING NO. 2EDGVC-5.08-E06	SIZE	/PART NO.	A3	DD NOT SCALE DRAWING	REV T4 10/09/10*
MM (INCH)	DFTD HW	DATE 08/23/05'																																			
TOLERANCES EXCEPT AS NOTED	CHKD	DATE																																			
MM	MFD	DATE																																			
.0 ±	APPVL	DATE																																			
.00 ±																																					
.000 ±																																					
DEGSON® 宁波高正电子有限公司																																					
DEGSON ELECTRONICS CO., LTD																																					
NAME																																					
2EDGVC-5.08-XXP-1Y-00A(H)																																					
DRAWING NO. 2EDGVC-5.08-E06	SIZE																																				
/PART NO.	A3																																				
DD NOT SCALE DRAWING	REV T4 10/09/10*																																				
<table border="1"> <thead> <tr> <th>ANGLES ± 1°</th> <th>G.E :</th> </tr> </thead> <tbody> <tr> <td>THIRD ANGLE PROJECTION</td> <td>FINISH:</td> </tr> <tr> <td></td> <td>SCALE :</td> </tr> </tbody> </table>		ANGLES ± 1°	G.E :	THIRD ANGLE PROJECTION	FINISH:		SCALE :	<table border="1"> <thead> <tr> <th>SIZE</th> <th>REV</th> </tr> </thead> <tbody> <tr> <td>A3</td> <td>T4</td> </tr> <tr> <td></td> <td>10/09/10*</td> </tr> </tbody> </table>				SIZE	REV	A3	T4		10/09/10*																				
ANGLES ± 1°	G.E :																																				
THIRD ANGLE PROJECTION	FINISH:																																				
	SCALE :																																				
SIZE	REV																																				
A3	T4																																				
	10/09/10*																																				