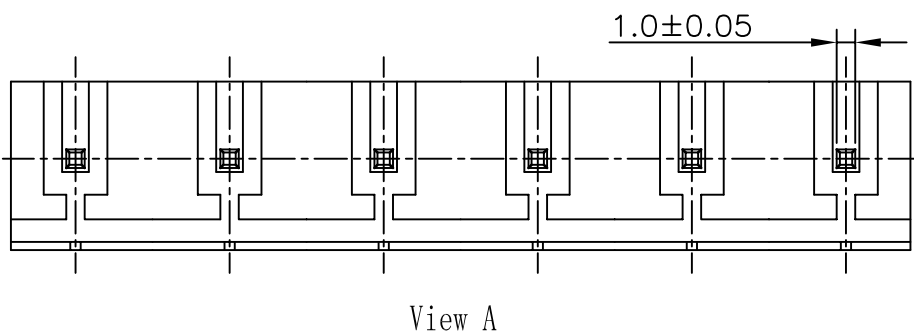
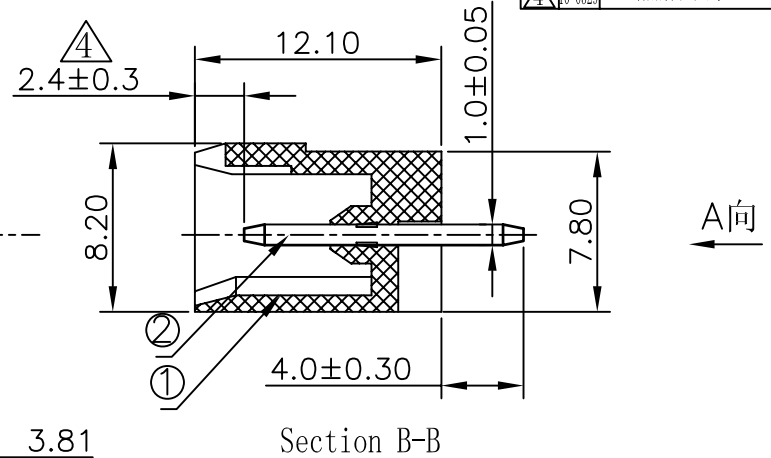
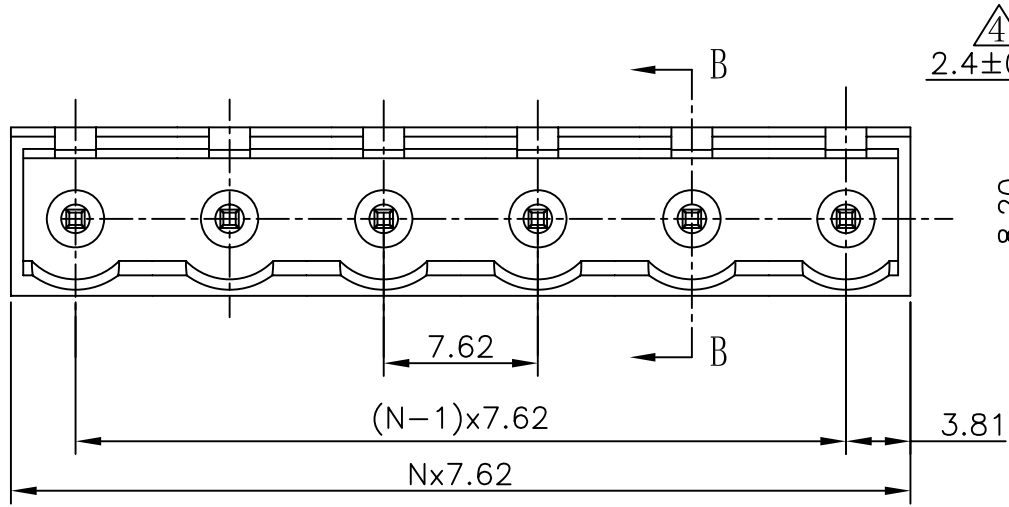
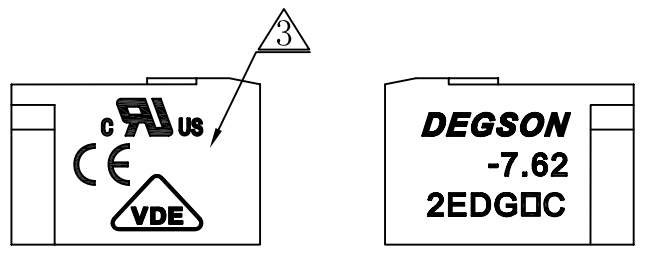


| REVISION RECORD |        |                         |      |          |
|-----------------|--------|-------------------------|------|----------|
| REV             | ECO    | DESCRIPTION             | DRFT | DATE     |
| 1               |        | 图面更新                    | C SX | 04/25/06 |
| 2               |        | 将1007B00010改为1007B00030 | Hang | 05/24/06 |
| 3               |        | 增加VDE、CE认证标志            | CSX  | 12/14/07 |
| 4               | 0-0329 | 增加标注尺寸                  | COCO | 10/08/10 |



- Notes:
1. Pitch: 7.62mm, poles: 2-12p
  2. Rated voltage: 300V
  3. Rated current: 15A
  4. Withstanding voltage: AC2000V/1min
  5. Insulation resistance: 5000MΩ/DC1000V
  6. Temp. Range:  $-40^{\circ}\text{C} \sim +105^{\circ}\text{C}$
  7. Undimensioned Tolerances:

| Pitch range in mm |            | Nominal dimension range in mm |            |           |           |           |           |           |            |
|-------------------|------------|-------------------------------|------------|-----------|-----------|-----------|-----------|-----------|------------|
|                   | over 6     | over 10                       | over 30    | over 60   | over 100  | over 150  | ∩         |           |            |
| to                | to 10      | to 24                         | to 30      | to 60     | to 100    | to 150    | ∇         |           |            |
|                   | $\pm 0.10$ | $\pm 0.15$                    | $\pm 0.25$ | $\pm 0.2$ | $\pm 0.3$ | $\pm 0.5$ | $\pm 0.7$ | $\pm 1.0$ | $0.005/10$ |



| 2                      | 2EDGV Pin header           | 1007B00030 (H) | XX            | Brass  | SnCe    |      |
|------------------------|----------------------------|----------------|---------------|--|---------|------|
| 1                      | 2EDGVC-7.62 Housing        | 1023A0YXXA (H) | 1             | PA66   | UL94V-0 |      |
| ITEM                   | NAME OF PART               | NO. OF PART    | Q'TY          | MATERIAL   | NOTES   |      |
| DETACHED LISTS         | MM (INCH)                  | DFTO HA0YH     | DATE 04/12/04 | 宁波高正电子有限公司<br>DEGSON ELECTRONICS CO., LTD<br>NAME: 2EDGVC-7.62-XXP-1Y-00A(H)<br>DRAWING NO. 2EDGVC-7.62-E03<br>/PART NO.<br>DO NOT SCALE DRAWING |         |      |
|                        | TOLERANCES EXCEPT AS NOTED |                | CHKD          |  |         | DATE |
|                        |                            |                | MFO           |  |         | DATE |
|                        |                            |                | APPVL         |  |         | DATE |
|                        |                            |                | MATERIAL :    |  |         |      |
| ANGLES $\pm 1^{\circ}$ |                            | G.E :          |               | SIZE T4  |         |      |
| THIRD ANGLE PROJECTION |                            | FINISH :       |               | REV 10/08/10   |         |      |
|                        |                            | SCALE : 1:1    |               | SHEET 1 OF 1   |         |      |