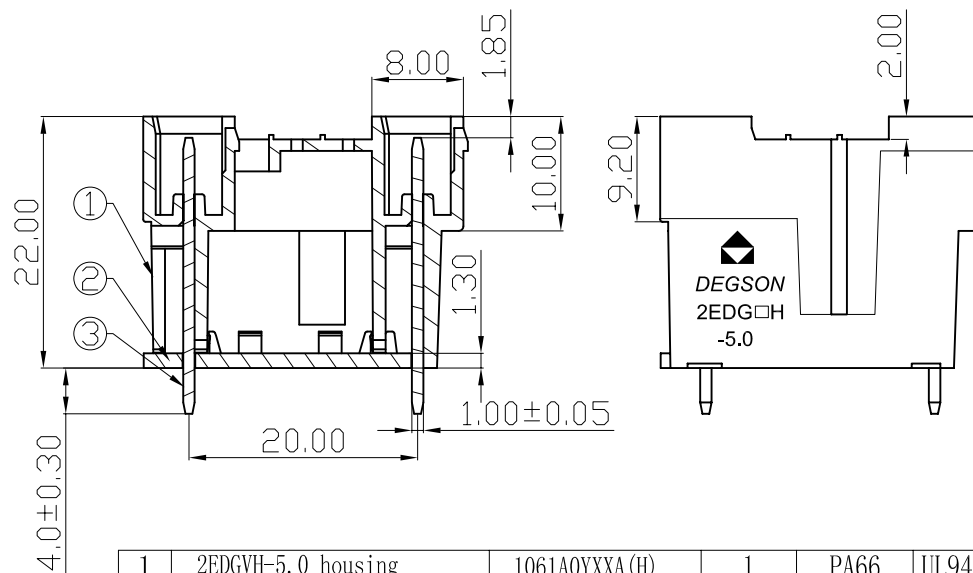
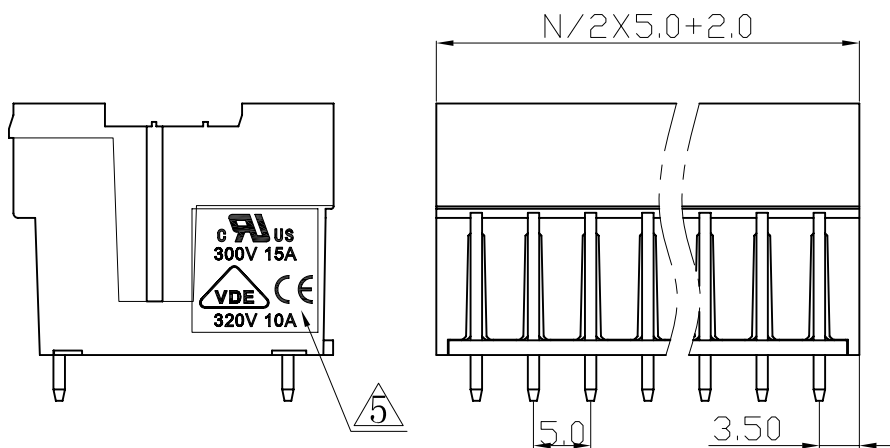


Notes:

1. Pitch: 5.00mm , Poles: 4-48P
2. Rated voltage/current: UL 300V/15A
VDE 320V/10A
3. Operation temperatures: -40°C ~ +105°C
4. Withstanding Voltage: AC2000V/1Min
5. Insulation Resistance: 5000M Ω /DC1000V
6. Undimensioned Tolerances:

REVISION RECORD				
REV	ECD	DESCRIPTION	DRFT	DATE
△		图面更新	CSX	04/14/06*
△		增加UL刻字	CSX	08/31/07*
△		品名、料号增加环保标示“(H)”	LJH	12/11/07*
△		取消超音波焊接	LJH	04/15/08*
△		增加VDE刻字及参数	Zengy	12/08/08*

Pitch range in mm		Nominal dimension range in mm					—	
to	over	to	over	to	over	to	—	
6	6	10	10	30	60	100	150	∩
6	10	24	30	60	100	150		∇
±0.10	±0.15	±0.25	±0.2	±0.3	±0.5	±0.7	±1.0	0.05/10



3	2EDGVH Pin plated	1061B00020(H)	XX	Brass	SnCe
2	2EDGR(V)H-5.0 Cover	1061COYXXA(H)	1	PA66	UL94V-0

ITEM	NAME OF PART	NO. OF PART	Q'TY	MATERIAL	NOTES
1	2EDGVH-5.0 housing	1061AOYXXA(H)	1	PA66	UL94V-0

DETACHED LISTS	MM (INCH)	DFTD LITUM	DATE 05/30/05"
	TOLERANCES EXCEPT AS NOTED	CHKD	DATE
		MFO	DATE
		APPVL	DATE
	MM	±	
	.0 ±	±	
	.00 ±	±	
	.000 ±	±	
	ANGLES ± 1°	G.E :	
	THIRD ANGLE PROJECTION	FINISH:	
	SCALE :	DO NOT SCALE DRAWING	SHEET 1 OF 1

NAME		2EDGVH-5.0-XXP-1Y-00A(H)	
DRAWING NO. 2EDGVH-5.0-E01		SIZE	REV T5
/PART NO.		A3	12/08/08*