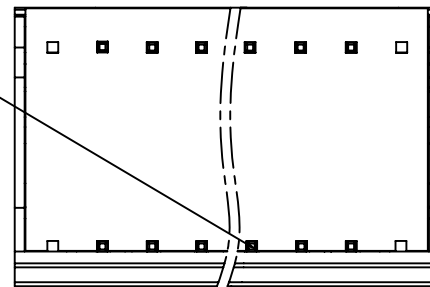
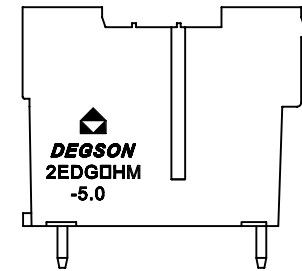
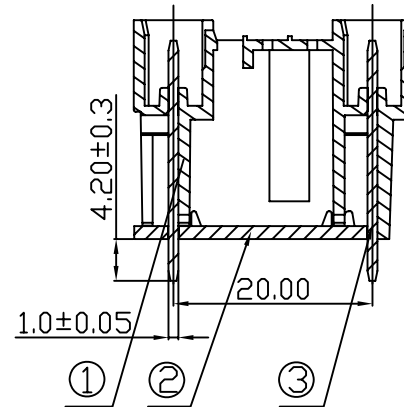
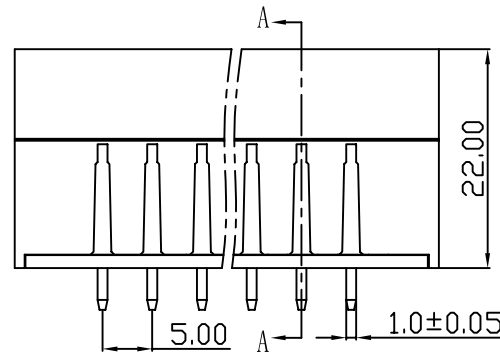
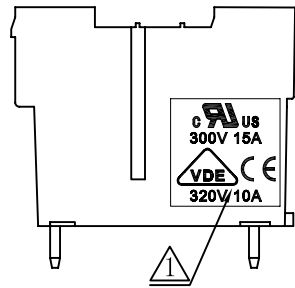
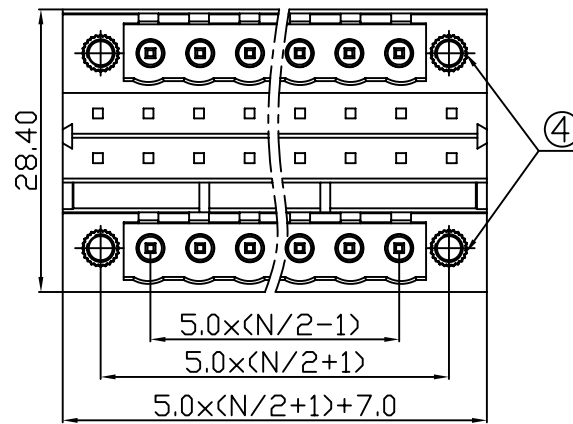


REVISION RECORD				
REV	ECD	DESCRIPTION	DRFT	DATE
△		修改刻字	Zengy	12/09/08

Notes:

1. Pitch: 5.0mm , Poles: 4-48P
3. Rated voltage/current: UL 300V 15A
VDE 320V 10A
4. Operation temperatures: -40°C ~ +105°C
5. Withstanding Voltage: AC2000V/1Min
6. Insulation Resistance: 5000MΩ / DC1000V
7. Undimensioned Tolerances:

Pitch range in mm		Nominal dimension range in mm						
to	over	to	over	to	over	to	over	
6	10	10	24	30	60	100	150	∩
±0.10	±0.15	±0.25	±0.2	±0.3	±0.5	±0.7	±1.0	∇



注：盖与座需超音波焊接

4	2EDGRH Screw	S000000040 (H)	4	Brass	
3	2EDGVH Pin header	1061B00020 (H)	XX	Brass	SnCe
2	2EDGRH-5.0 Cover	1061COY (XX+4) A (H)	1	PA66	UL94V-0

ITEM	NAME OF PART	NO. OF PART	Q"TY	MATERIAL	NOTES
1	2EDGR(V)HM-5.0 Housing	1076A0YXXA (H)	1	PA66	UL94V-0

DETACHED LISTS	MM (INCH)	DFTD ZYH	DATE 10/25/08*	宁波高正电子有限公司 DEGSON ELECTRONICS CO., LTD	
	TOLERANCES EXCEPT AS NOTED	CHKD	DATE		
	MM	MFD	DATE		
	.0 ±	APPVL	DATE		
				NAME	
				2EDGVHM-5.0-XXP-1Y-00A(H)	
				DRAWING NO. 2EDGVHM-5.0-E01	SIZE A4
				/PART NO.	REV T1 12/09/08*
				THIRD ANGLE PROJECTION	SCALE 1:1
				DO NOT SCALE DRAWING	SHEET 1 OF 1