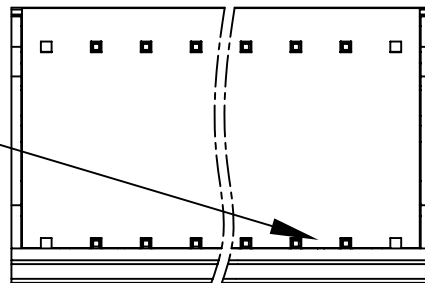
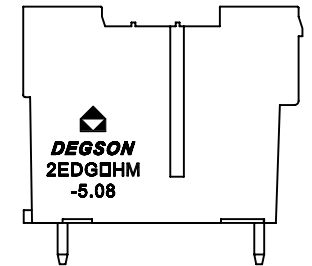
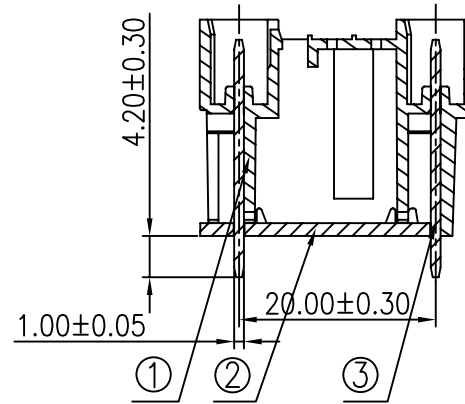
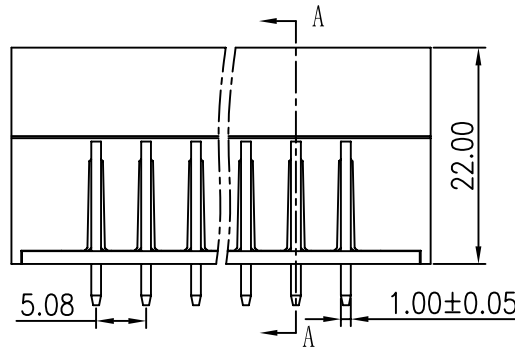
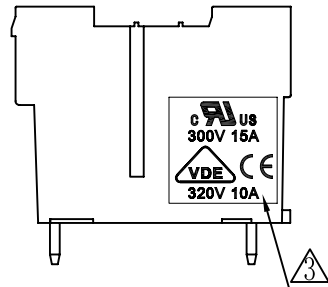
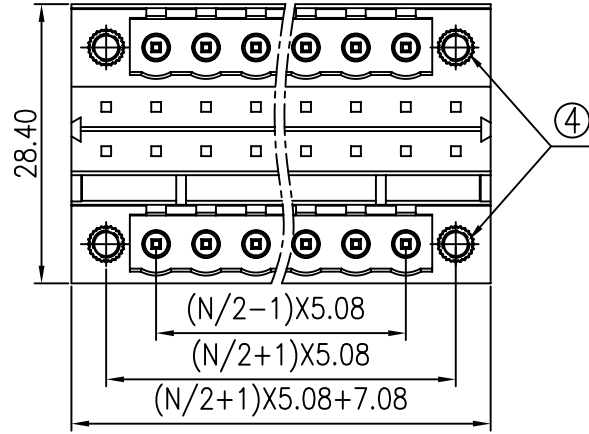


REVISION RECORD				
REV	ECO	DESCRIPTION	DRFT	DATE
△		增加UL刻字	CSX	08/31/07
△		品名、料号增加环保标示“(H)”	LJH	12/11/07
△		增加VDE刻字及参数	Zengy	12/11/08

Notes:

- Pitch:5.08mm ,Poles:4-48P
- Rated voltage/current:UL 300V 15A  
VDE 320V 10A
- Operation temperatures:-40℃~+105℃
- Withstanding Voltage:AC2000V/1Min
- Insulation Resistance:5000MΩ/DC1000V
- Undimensioned Tolerances:

Pitch range in mm		Nominal dimension range in mm						
to	over	over	over	over	over	over		
6	6 to 10	10 to 24	30 to 60	60 to 100	100 to 150	150		
±0.10	±0.15	±0.25	±0.2	±0.3	±0.5	±0.7	±1.0 0.05/10	



注：盖与座需超音波焊接

4	2EDGVH Screw	S000000040	4	Brass	
3	2EDGVH Pin header	1061B00020 (H)	XX	Brass	SnCe
2	2EDGVH-5.08 Cover	1062COY (XX+4) A (H)	1	PA66	UL94V-0

1	2EDGVHM-5.08 Housing	1077A0YXXA (H)	1	PA66	UL94V-0
ITEM	NAME OF PART	NO. OF PART	Q'TY	MATERIAL	NOTES
DETAILED LISTS	← MM (INCH) →	DFTO ZHUWU	DATE 06/24/06*	宁波高正电子有限公司 DEGSON ELECTRONICS CO., LTD NAME: 2EDGVHM-5.08-XXP-1Y-00A(H) DRAWING NO. 2EDGVHM-5.08-E01 /PART NO. DO NOT SCALE DRAWING SHEET 1 OF 1	
	TOLERANCES EXCEPT AS NOTED	CHKD	DATE		
	MM	MFO	DATE		
	.0 ±	APPL	DATE		
	.00 ±	MATERIAL :			
.000 ±	ANGLES ± 1'	G.E :			
	THIRD ANGLE PROJECTION	FINISH :			
	SCALE : 1:1				