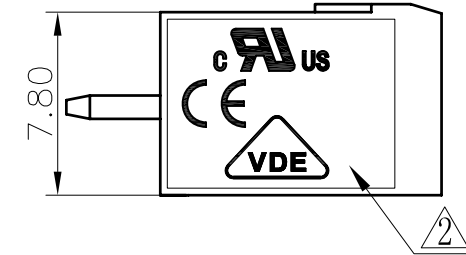
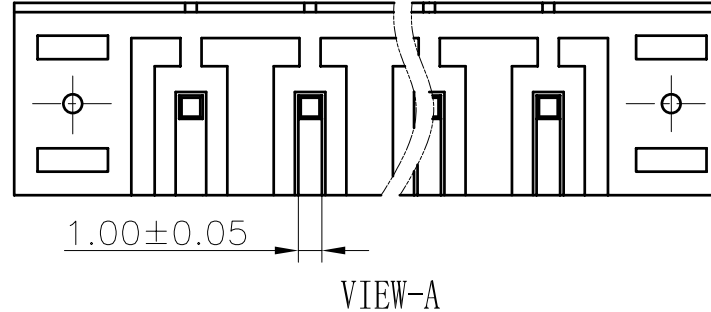
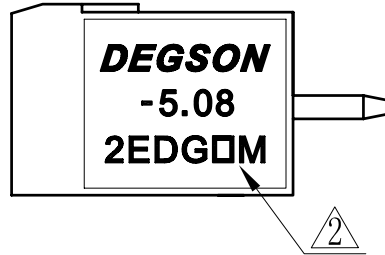
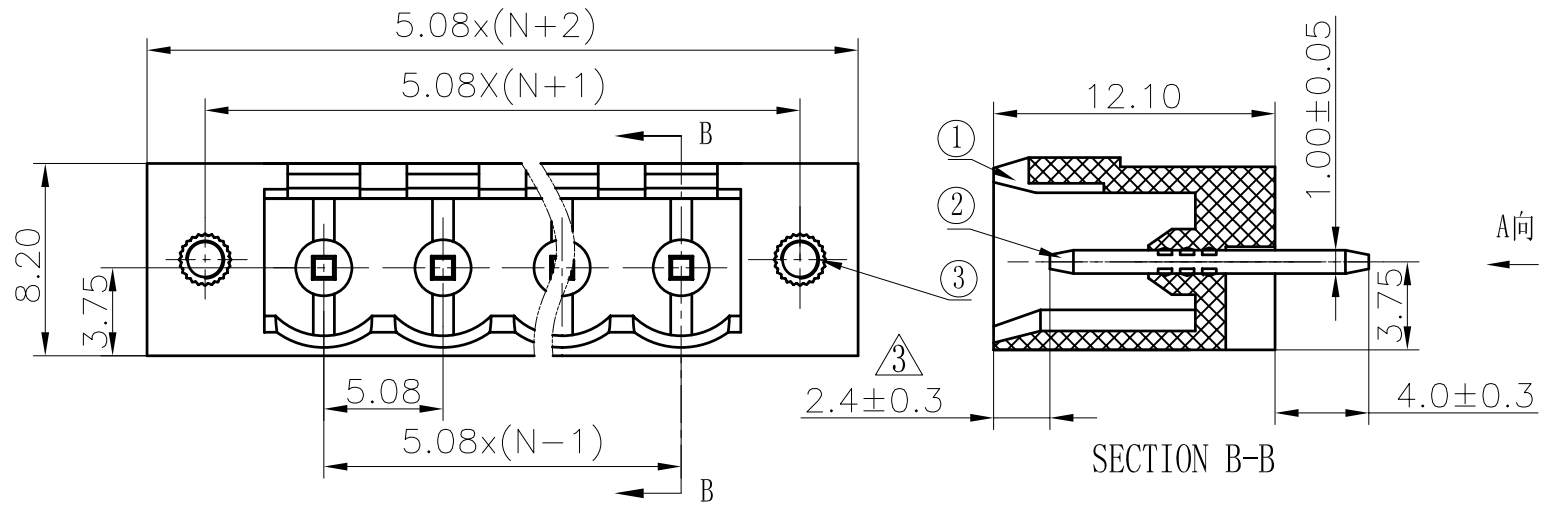


REVISION RECORD					
REV	ECO	DESCRIPTION	DRFT	DATE	
△		Drawing emend	WF	04/04/06*	
△		增加VDE, CE刻字	Zengy	07/29/08*	
△	10-0329	增加标注尺寸	COCO	10/07/10*	



Notes:

1. Pitch:5.08mm ,Poles:2-24P
2. Rated voltage/current:UL 300V/15A  
VDE 320V/20A
3. Operation temperatures:-40℃~+105℃
4. Withstanding Voltage:AC1500V/1Min
5. Insulation Resistance:5000MΩ/DC1000V
6. Undimensioned Tolerances:

Pitch range in mm		Nominal dimension range in mm							
to	over	to	over	to	over	to	over		
6	10	10	30	30	60	60	100	150	—
to	to	to	to	to	to	to	to	to	□
±0.10	±0.15	±0.25	±0.2	±0.3	±0.5	±0.7	±1.0	0.05/10	

ITEM	NAME OF PART	NO. OF PART	Q"TY	MATERIAL	NOTES
1	2EDGVM-5.08-Housing	1012A0YXXA (H)	1	PA66	UL94V-0

DETACHED LISTS	MM (INCH)	DFTO WF	DATE 11/21/05*
	TOLERANCES EXCEPT AS NOTED	CHKD	DATE
		MFO	DATE
		APPVL	DATE
		MATERIAL :	
	ANGLES ± 1°	G.E :	
	THIRD ANGLE PROJECTION	FINISH :	
		SCALE : 1:1	

NAME		DEGSON® 宁波高正电子有限公司 DEGSON ELECTRONICS CO., LTD	
2EDGVM-5.08-XXP-1Y-00A(H)			
DRAWING NO. 2EDGVM-5.08-E03		SIZE A3	REV T3
/PART NO.		10/07/10*	
DO NOT SCALE DRAWING			SHEET 1 OF 1

3	2EDG-Screw cap	S000000040 (H)	2	Brass	
2	2EDGV-Pin header	1007B00030 (H)	XX	Brass	SnCe