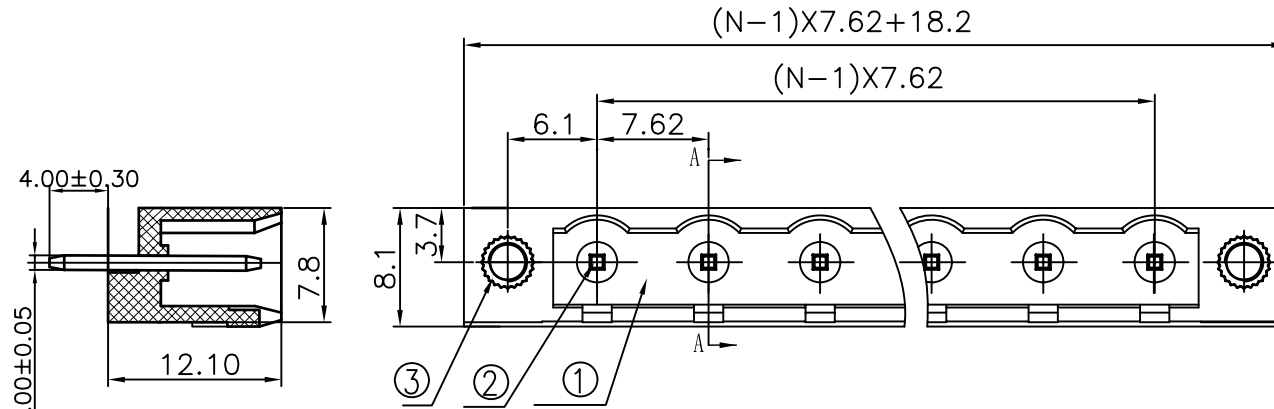


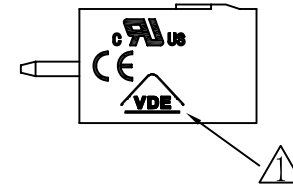
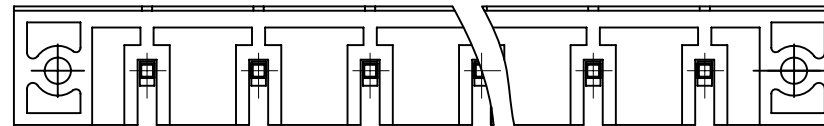
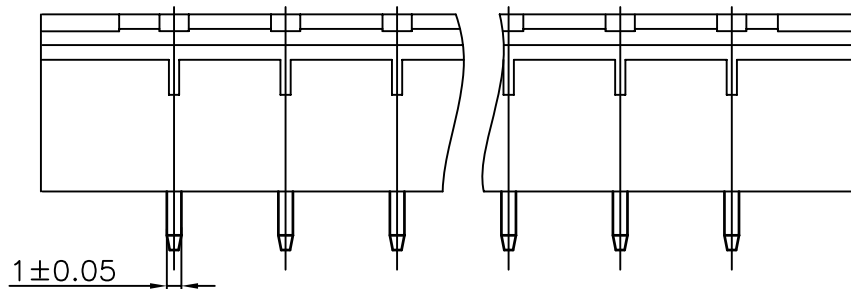
REVISION RECORD					
REV	ECO	DESCRIPTION	DRFT	DATE	
△		增加CE、VDE刻字	Ye.j	02/29/08*	



Notes:

- pitch: 7.62mm poles:2-12p
- Rated voltage/current:UL 300V/15A
VDE 400V/15A
- Withstanding voltage: AC2000V/1min
- Insulation resistance:5000MΩ/DC1000V
- Temp. Range: -40° C~+105° C
- Undimensioned Tolerances:

Pitch range in mm		Nominal dimension range in mm						
to 6	over 6 to 10	over 10 to 24	to 30	over 30 to 60	over 60 to 100	over 100 to 150	over 150	—
±0.10	±0.15	±0.25	±0.2	±0.3	±0.5	±0.7	±1.0	0.05/10



3	2EDGV (A)-Pin header (1*13.7)	1007B00030 (H)	XX	Brass	SnCe
2	2EDG-Screw cap	S000000040 (H)	2	Brass	

ITEM	NAME OF PART	NO. OF PART	Q"TY	MATERIAL	NOTES																
1	2EDGVM-7.62-Housing	1060A0YXXA (H)	1	PA66	UL94V-0																
<table border="1"> <tr> <td>MM (INCH)</td> <td>±</td> <td>DFTO Yangys</td> <td>DATE 06/16/06*</td> </tr> <tr> <td>TOLERANCES EXCEPT AS NOTED</td> <td></td> <td>CHKD</td> <td>DATE</td> </tr> <tr> <td></td> <td></td> <td>MFO</td> <td>DATE</td> </tr> <tr> <td></td> <td></td> <td>APPVL</td> <td>DATE</td> </tr> </table>		MM (INCH)	±	DFTO Yangys	DATE 06/16/06*	TOLERANCES EXCEPT AS NOTED		CHKD	DATE			MFO	DATE			APPVL	DATE	宁波高正电子有限公司 DEGSON ELECTRONICS CO., LTD			
MM (INCH)	±	DFTO Yangys	DATE 06/16/06*																		
TOLERANCES EXCEPT AS NOTED		CHKD	DATE																		
		MFO	DATE																		
		APPVL	DATE																		
DETACHED LISTS		NAME 2EDGVM-7.62-XXP-1Y-00A (H)																			
ANGLES ± 1'		G.E :		DRAWING NO. 2EDGVM-7.62-E01																	
THIRD ANGLE PROJECTION		FINISH :		/PART NO.																	
		SCALE :		DO NOT SCALE DRAWING																	
				SHEET 1 OF 1																	