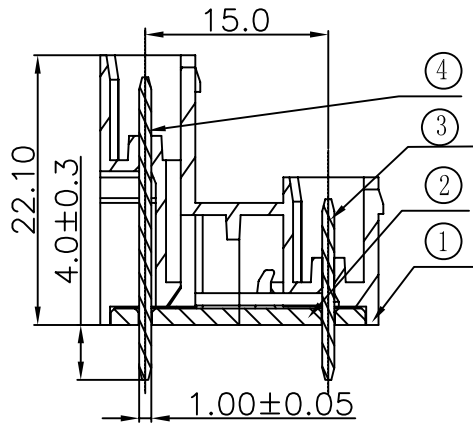
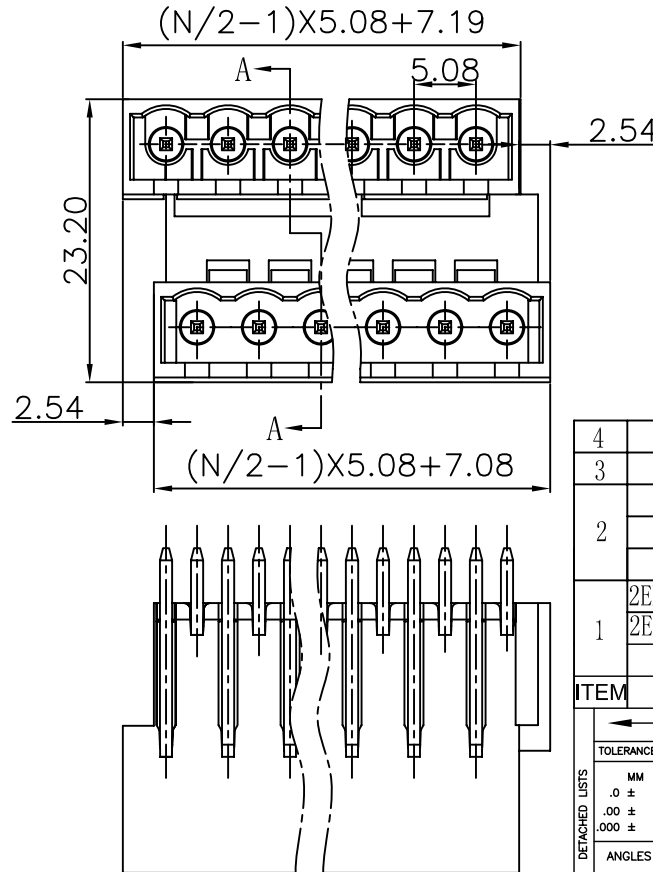
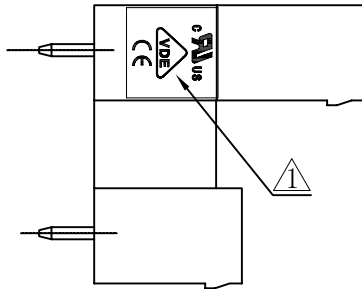
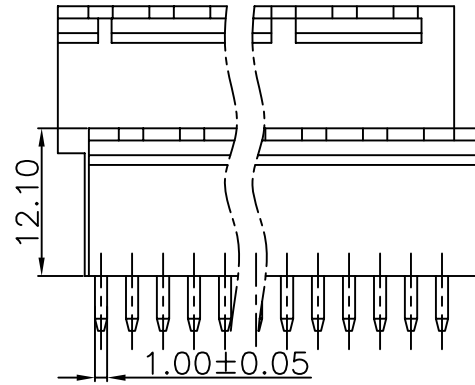


REVISION RECORD					
REV	ECO	DESCRIPTION	DRFT	DATE	
△		增加VDE刻字	Zengy	11/12/08*	



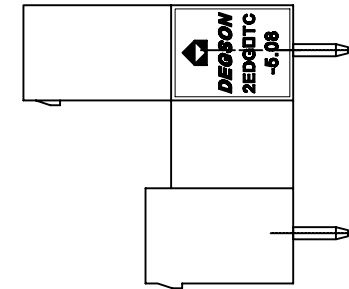
SECTION A-A



Notes:

- Pitch: 5.08mm, Poles: One-block for 4-24P
Inter locking for 24-48P
- Rated voltage/current: UL 300V/15A
VDE 320V/10A
- Operation temperatures: -40°C ~ +105°C
- Withstanding Voltage: AC2000V/1Min
- Insulation Resistance: 5000MΩ/DC1000V
- Undimensioned Tolerances:

Pitch range in mm		Nominal dimension range in mm					
to	over	to	over	to	over	to	
6	10	6	10	30	60	100	150
±0.10	±0.15	±0.25	±0.2	±0.3	±0.5	±0.7	±1.0
							0.05/10



ITEM	NAME OF PART	NO. OF PART	Q'TY	MATERIAL	NOTES
4	2EDGVT-Long pin	1032B00010 (H)	XX/2	Brass	SnCe
3	2EDGV-pin	1007B00030 (H)	XX/2	Brass	SnCe
2	2EDGVT-5.08-Cover	1056COY (N/2 & N/2 + 1) A (H)	1	PA66	>24P
	2EDGVT-5.08-Cover	1056COY (N/2 & N/2 - 1) A (H)	1	PA66	>24P
	2EDGVT-5.08 cover	1056COYXXA (H)	1	PA66	≤24P
1	2EDGVT-5.08 housing (Right foot)	1073AOY (N/2 & N/2 + 1) C (H)	1	PA66	>24P
	2EDGVT-5.08 housing (Left foot)	1073AOY (N/2 & N/2 - 1) B (H)	1	PA66	>24P
	2EDGVT-5.08 Housing	1073AOYXXA (H)	1	PA66	≤24P

DETACHED LISTS	MM (INCH)	DFTO Yangys	DATE 06/21/06*	宁波高正电子有限公司 DEGSON ELECTRONICS CO., LTD
	TOLERANCES EXCEPT AS NOTED	CHKD	DATE	
		MFO	DATE	
		APPVL	DATE	
	MATERIAL :	NAME		
	ANGLES ± 1°	2EDGVT-5.08-XXP-1Y-00A(H)		
	THIRD ANGLE PROJECTION	G.E :	DRAWING NO. 2EDGVT-5.08-E02	
		FINISH :	/PART NO.	SIZE A3
		SCALE :	DO NOT SCALE DRAWING	REV T1 11/12/08*
			SHEET 1	OF 1