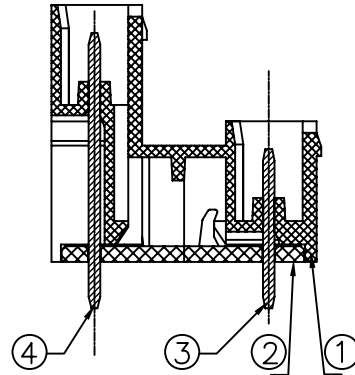
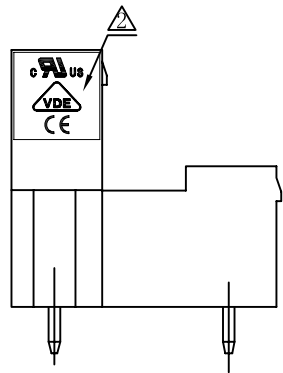


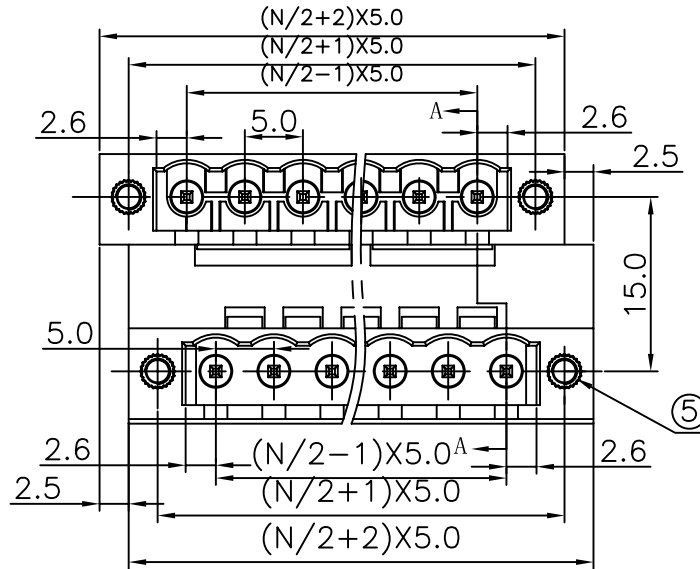
Notes:

- Pitch:5.0mm ,Poles: One-block for 4-24P
Inter locking for 24-48P
- Rated voltage/current:UL 300V/15A
VDE 320V/10A
- Operation temperatures:-40°C ~+105°C
- Withstanding Voltage:AC2000V/1Min
- Insulation Resistance:5000MΩ/DC1000V
- Undimensioned Tolerances:

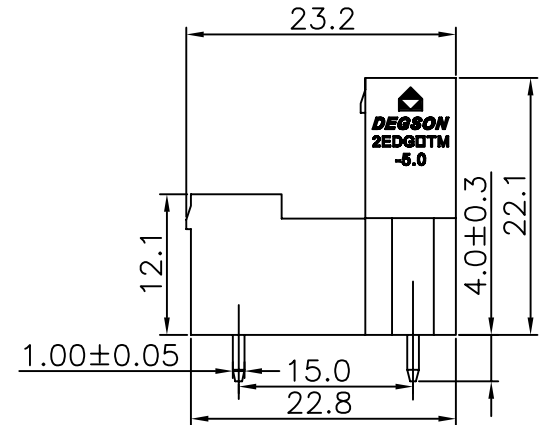
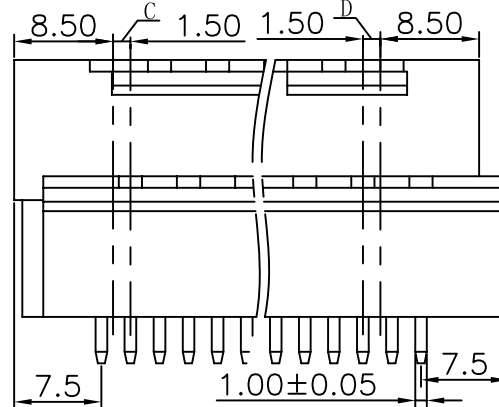
Pitch range in mm			Nominal dimension range in mm					—
to	over	to	to	over	over	over	over	—
6	6 to 10	10 to 24	30 to 60	60 to 100	100 to 150	150		∩
±0.10	±0.15	±0.25	±0.2	±0.3	±0.5	±0.7	±1.0	□
								0.05/10



SECTION A-A



注:C D两处与插头卡勾相配合必须要有凸台,其余凹槽凸台均不作管控。
(The C and D section must match the contact point with bump.
The rest of groove and bulge are undefined.)



REVISION RECORD					
REV	ECO	DESCRIPTION	DRFT	DATE	
△		品名、料号增加环保标示“(H)”	LJH	12/11/07*	H
△		增加VDE刻字	Zengy	08/30/10*	H
△	0-0310	根据实物更新图面	Golden	09/20/10*	H

ITEM	NAME OF PART	NO. OF PART	Q"TY	MATERIAL	NOTES
1	2EDGVTM-5.0 housing(Right foot)	1074A1Y (N/2 & N/2 + 1) C(H)	1	PA66	>24P
	2EDGVTM-5.0 housing(Left foot)	1074A1Y (N/2 & N/2 - 1) B(H)	1	PA66	
	2EDGVTM-5.0 housing	1074A1YXXXA (H)	1	PA66	≤24P

DETACHED LISTS	MM (INCH)	DFTO Apple	DATE 06/18/06	宁波高正电子有限公司 DEGSON ELECTRONICS CO., LTD
	TOLERANCES EXCEPT AS NOTED	CHKD	DATE	
		MFO	DATE	
		APPVL	DATE	
	MM	MATERIAL :		NAME
.0 ±	±			2EDGVTM-5.0-XXP-1Y-00A (H)
.00 ±	±			DRAWING NO. 2EDGVTM-5.0-E01
.000 ±	±			/PART NO.
	ANGLES ± 1°	G.E :		SIZE A3
		FINISH :		REV T3
	THIRD ANGLE PROJECTION	SCALE :		09/20/10*
		DO NOT SCALE DRAWING		SHEET 1 OF 1

5	2EDG Nut	S000000040 (H)	4	Brass	
4	2EDGVT-long pin	1032B00010 (H)	XX/2	Brass	SnCe
3	2EDGV-pin(1*13.7)	1007B000030 (H)	XX/2	Brass	SnCe
2	2EDGVT-5.0-Cover	1032C0Y (N/2 & N/2 + 1) A (H)	1	PA66	>24P
	2EDGVT-5.0-Cover	1032C0Y (N/2 & N/2 - 1) A (H)	1	PA66	
	2EDGVT-5.0-Cover	1032C0YXXXA (H)	1	PA66	