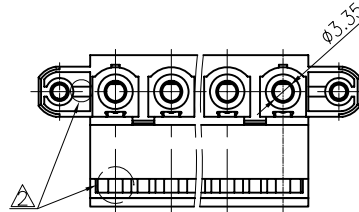
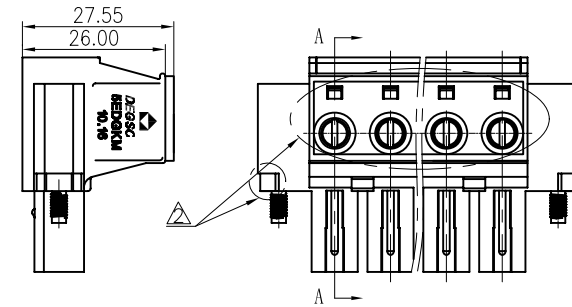
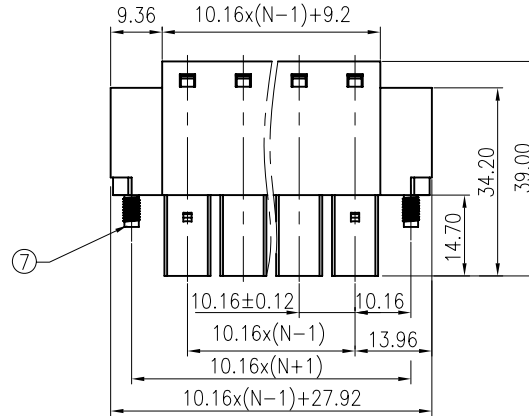
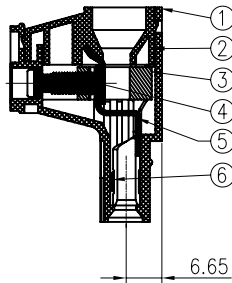
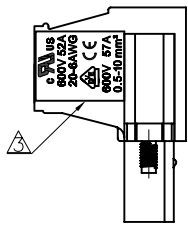
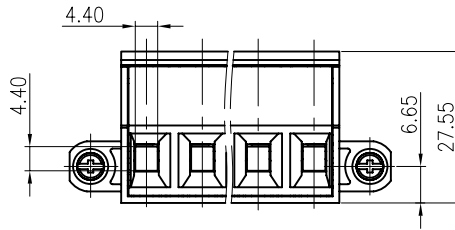


REVISION RECORD				
REV	ECO	DESCRIPTION	DRFT	DATE
△	10-0176	增加V刻字	Jordan.Y	06.09.10*
△	10-0273	修改外形避专利	HD	08.20.10*
△	10-0311	增加V刻字	HD	09.17.10*

- Notes:
- pitch:10.16mm, ploes:2-8p
 - Rated current/voltage:
UL 52A/600V
VDE 57A/600V
 - Operation temperatures:-40° ~+105°
 - Withstanding Voltage:AC3500V/1Min
 - Insulation Resistance:5000MΩ/DC1000V
 - Wire Range:20~6AWG, 0.5-1.0mm²
 - Torque Value:12.24 kgf.cm
 - Undimensioned Tolerances:

Pitch range in mm		Nominal dimension range in mm				
to	over	to	over	over	over	
6	6 to 10	30	30 to 60	60 to 100	100 to 150	□
±0.10	±0.15	±0.25	±0.2	±0.3	±0.5	±0.7 ± 1.0 0.05/10



ITEM	NAME OF PART	NO. OF PART	Q"TY	MATERIAL	NOTES
5	5EDGK-10.16-Clamp	1192B00010 (H)	XX	Copper	Ag plated
4	PC6-Screw M4	S000001490 (H)	XX	Brass	Ni plated
3	PC6-Brass Cage	X000000900 (H)	XX	Brass	Ni plated
2	5EDGK-10.16-Cover	1192C0YXXA (H)	1	PA66	UL94V-0
1	5EDGKM-10.16-Housing	1193A0YXXA (H)	1	PA66	UL94V-0

DETACHED LISTS	MM (INCH)	DFTO Zhuwm	DATE 09/05/08*	宁波高正电子有限公司 DEGSON ELECTRONICS CO., LTD
	TOLERANCES EXCEPT AS NOTED	CHKD	DATE	
	MM	MFO	DATE	
	APPVL	DATE		
.0 ±	±	MATERIAL :		NAME
.00 ±	±	G.E :		5EDGKM-10.16-XXP-1Y-00A(H)
.000 ±	±	FINISH :		DRAWING NO. 5EDGKM-10.16-E01
ANGLES ± 1°	SCALE : 1:1		DO NOT SCALE DRAWING	SHEET 1 OF 1

7	5EDGKM-10.16-Screw M3	S000003300 (H)	2	Brass	Snce plated
6	5EDGK-10.16-Spring	X000003190 (H)	XX	Stainless steel	

H
G
F
E
D
C
B
A