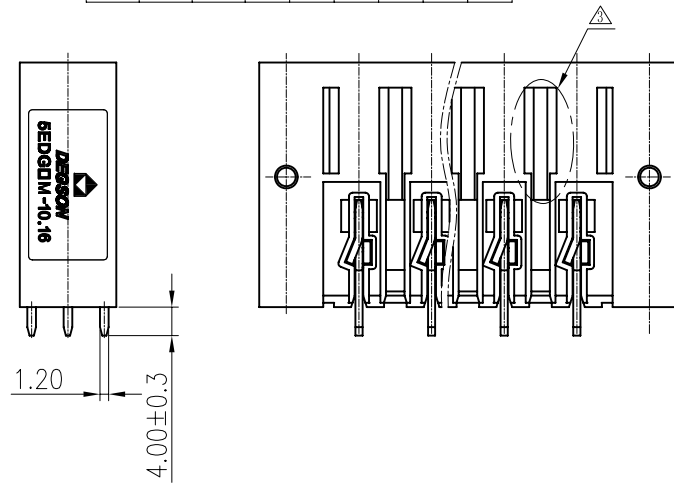


Notes:

1. pitch: 10.16mm, pines: 2-8p
2. Rated current/voltage:
UL 52A/600V
VDE 57A/600V
4. Operation temperatures: -40° ~ +105°
5. Withstanding Voltage: AC3500V/1Min
6. Insulation Resistance: 5000MΩ / DC1000V
7. Undimensioned Tolerances:

REVISION RECORD				
REV	ECO	DESCRIPTION	DRFT	DATE
△	10-0036	修改视图	CW	03.09.10
△	10-0170	增加UL刻字	Jordan.Yuan	06.07.10
△	10-0274	修改外形避专利	HD	08.20.10
△	10-0304	增加VDE CE刻字	HD	09.15.10

Pitch range in mm		Nominal dimension range in mm							
to	over	over	over	over	over	over	over		
6	6 to 10	10 to 24	30 to 30	60 to 60	100 to 100	150 to 150	150		
±0.10	±0.15	±0.25	±0.2	±0.3	±0.5	±0.7	±1.0	0.05/10	



3	5EDGRM-10.16-Square Nut	S000003310 (H)	2	SPCC	Cr ³⁺ Zn
2	5EDGVC-10.16-Pin	1194B00020 (H)	XX	Copper	Ag plated

1	5EDGRM-10.16-Housing	1195A0YXXA (H)	1	PA66	UL94V-0	
ITEM NAME OF PART		NO. OF PART		Q'TY	MATERIAL	NOTES
TOLERANCES EXCEPT AS NOTED		DFTO Zhwwm		DATE 09/05/08		宁波高正电子有限公司 DEGSON ELECTRONICS CO., LTD
MM (INCH)		CHKD		DATE		
.0 ±		MFO		DATE		
.00 ±		APPL		DATE		
.000 ±		MATERIAL :		NAME		
ANGLES ± 1°		G.E :		5EDGVM-10.16-XXP-1Y-00A(H)		
THIRD ANGLE PROJECTION		FINISH :		DRAWING NO. 5EDGVM-10.16-E01		SIZE A3
SCALE : 1:1		DO NOT SCALE DRAWING		SHEET 1 OF 1		REV 14 09/15/10