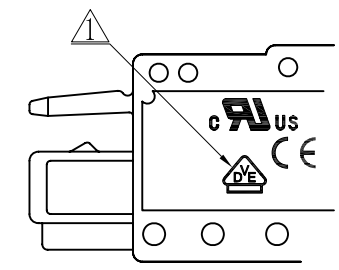
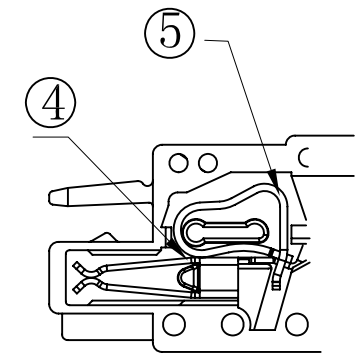
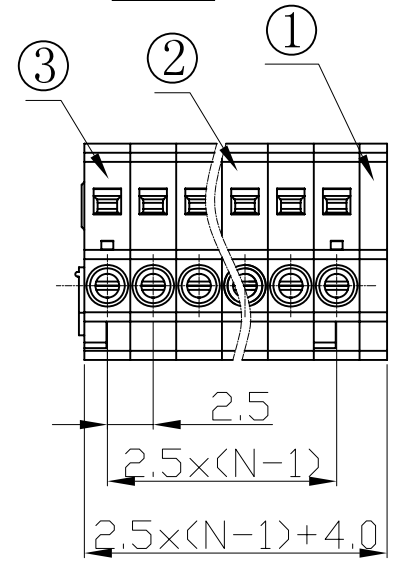
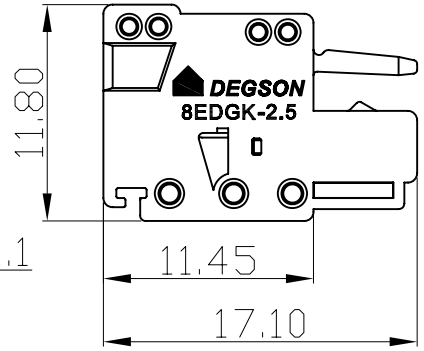
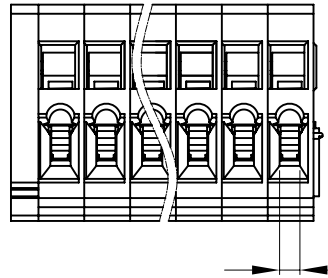
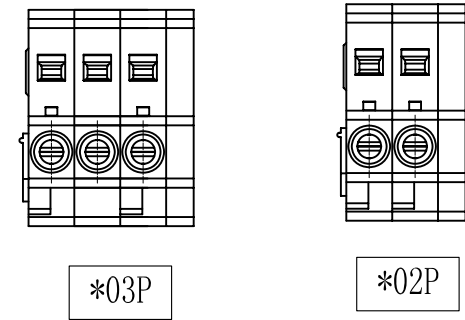
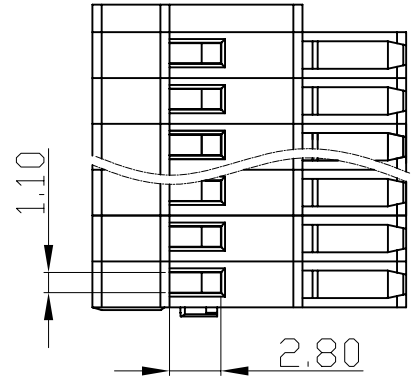


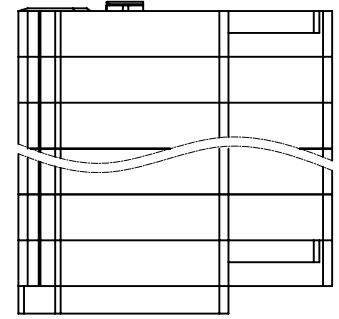
REVISION RECORD					
REV	ECD	DESCRIPTION	DRFT	DATE	
▲	10-0303	增加“VDE”完全认证标志及参数变更	Jinhai_Lan	09/16/10*	
▲	10-0320	用8EDGK-2.5弹片替代DG240弹片 (仅限于8EDGK-2.5产品)	HXG	09/27/10*	



“C”视图

- Notes:
- Pitch: 2.50mm
 - Rated voltage/current: UL 150V 4A
VDE 250V 4A
 - Operation temperatures: -40°C ~ +105°C
 - Withstanding Voltage: AC2000V/1min
 - Insulation Resistance: 5000MΩ / DC1000V
 - Wire Range: 28~20AWG, 0.5mm²
 - Undimensioned Tolerances:

Pitch range in mm		Nominal dimension range in mm						
to 6	over 6 to 10	over 10 to 24	to 30	over 30 to 60	over 60 to 100	over 100 to 150	over 150	
±0.10	±0.15	±0.25	±0.2	±0.3	±0.5	±0.7	±1	0.05/10



5	SEDGK-2.5-Spring ▲	X000004950 (H)	XX	Stainless Steel	
4	SEDGK-2.5 Clamp	1127B00010 (H)	XX	Phosphor Bronze	SnCe
3	SEDGK-2.5 Housing2	1127A0Y01C (H)	2	PA66	UL94V-0

2	8EDGK-2.5 Housing1	1127A0Y01A (H)	XX-2, (XX)=0 0, (XX)=3		
1	8EDGK-2.5 Cover	1127C0Y01A (H)	1		
ITEM	NAME OF PART	NO. OF PART	Q'TY	MATERIAL	NOTES
DETACHED LISTS	MM (INCH)	DFTO IID	DATE 07/20/10*	宁波高正电子有限公司 DEGSON ELECTRONICS CO., LTD	
	TOLERANCES EXCEPT AS NOTED	CHKD	DATE		
		MFD	DATE		
		APPVL	DATE		
		MATERIAL :			
	ANGLES ± 1°	G.E :	NAME 8EDGK-2.5-XXP-1Y-00A(H)		
	THIRD ANGLE PROJECTION	FINISH:	DRAWING NO. 8EDGK-2.5-E02		SIZE A3
		SCALE :	/PART NO.		REV T2
			DO NOT SCALE DRAWING		09/27/10*
			SHEET 1	OF 1	