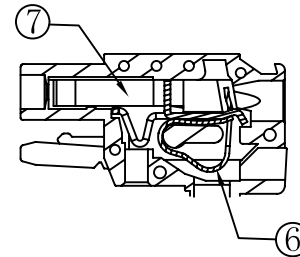
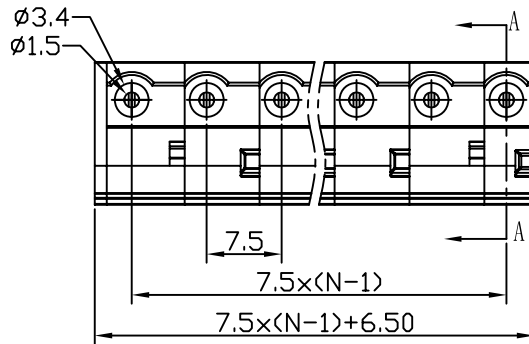
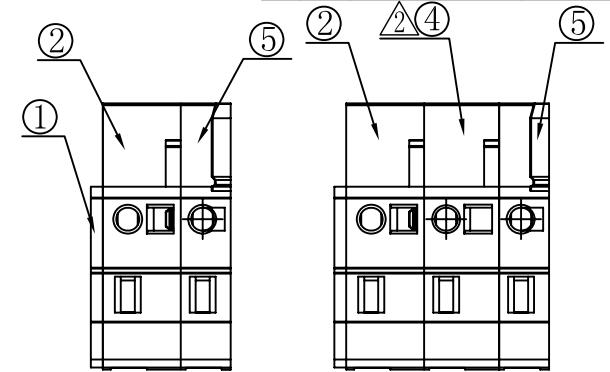


REVISION RECORD					
REV	ECN	DESCRIPTION	DRFT	DATE	
1	09-0164	扣卡到基准面尺寸由5mm改为7.5mm	HXG	12/31/09	
2	10-0154	03P产品:用中间件2替代中间件1	HXG	05/29/10	
3	10-0305	增加VDE, CE刻字及参数	Jordan.Y	09/16/10	



SECTION A-A



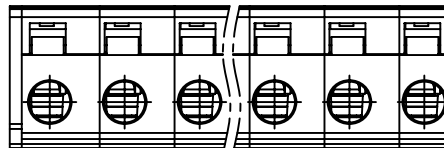
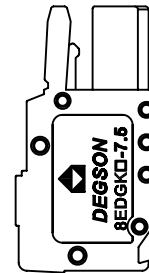
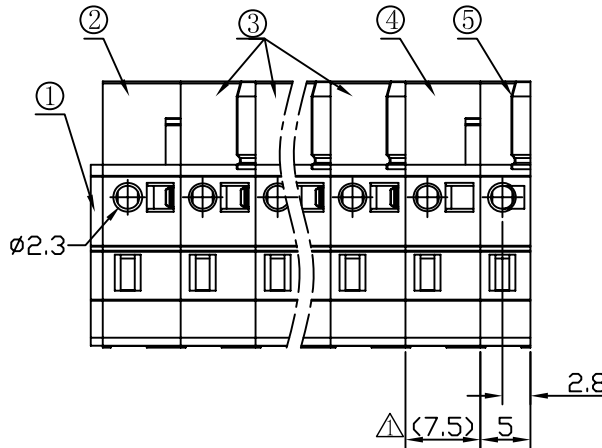
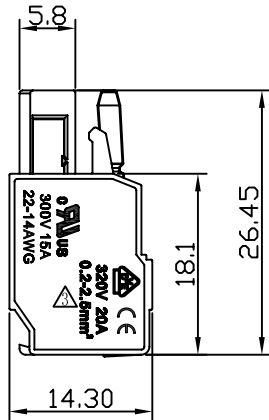
02P

03P

Notes:

- Pitch: 7.50mm
- Rated voltage/current: UL 300V15A
VDE 400V 20A
- Operation temperatures: -40°C ~ +105°C
- Withstanding Voltage: AC2500V/1min
- Insulation Resistance: 5000MΩ/DC1000V
- Wire Range: 28~12AWG, 2.5mm²
- Undimensioned Tolerances:

Pitch range in mm		Nominal dimension range in mm					
to 6	over 6 to 10	over 10 to 24	over 30 to 60	over 60 to 100	over 100 to 150	over 150	—
±0.10	±0.15	±0.25	±0.2	±0.3	±0.5	±0.7	±1



7	8EDGK-CLAMP	1086B00010 (H)	XX	Phosphor Bronze	Tin plated
6	DG242-SPRING	X000000990 (H)	XX	Stainless Steel	
5	8EDGK-7.5 HOUSING-4(边件2)	1125A4101C (H)	1	PA66	UL94V-0
4	8EDGK-7.5 HOUSING-2(中间件2)	1125A4101B (H)	1, (XX≥3) 0, (XX≤2)	PA66	UL94V-0
3	8EDGK-7.5 HOUSING-2(中间件1)	1125A4101A (H)	XX-3, (XX≥4) 0, (XX≤3)	PA66	UL94V-0

2	8EDGK-7.5 HOUSING-1(边件1)	1125A4101D (H)	1	PA66	UL94V-0
1	8EDGK-5.0 COVER 盖板	1086C4101A (H)	1	PA66	UL94V-0
ITEM	NAME OF PART	NO. OF PART	Q'TY	MATERIAL	NOTES
DETAILED LISTS		MM (INCH)	DFTD HXG	DATE 10/30/09	宁波高正电子有限公司 DEGSON ELECTRONICS CO., LTD
TOLERANCES EXCEPT AS NOTED		CHKD	DATE	NAME	
MM		MFD	DATE	8EDGK-7.5-XXP-11-01A(H)	
.0 ±		APPVL	DATE	DRAWING NO. 8EDGK-7.5-E02	
.00 ±		MATERIAL :		SIZE A4	
.000 ±		G.E :		REV T3	
ANGLES ± 1°		FINISH:		09/16/10	
THIRD ANGLE PROJECTION		SCALE :		DO NOT SCALE DRAWING	
				SHEET 1	OF 1