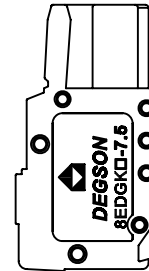
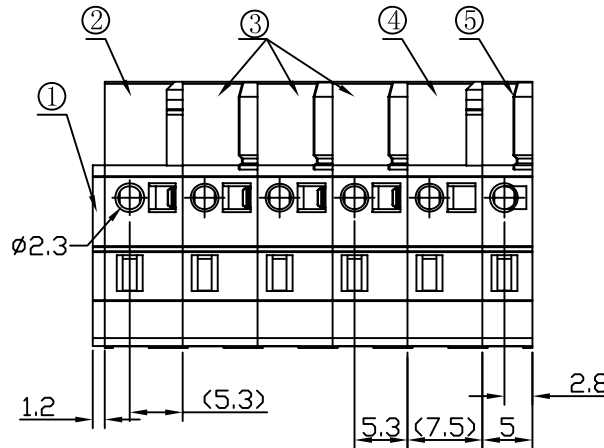
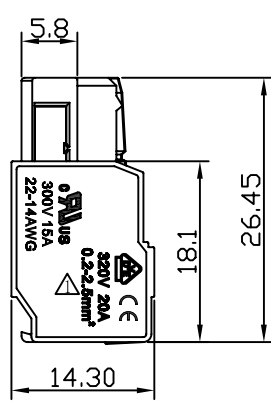
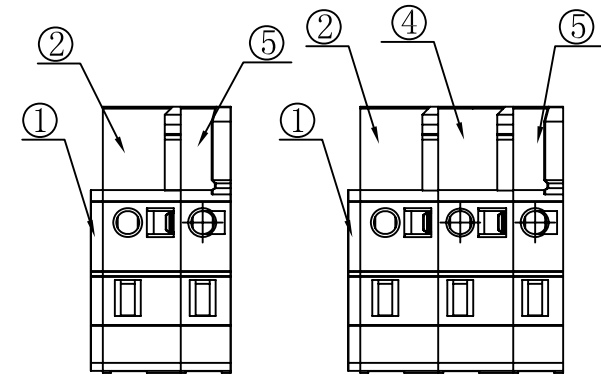
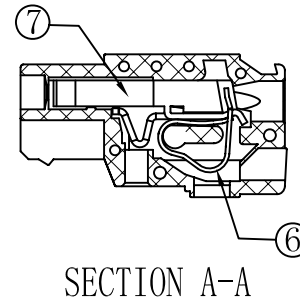
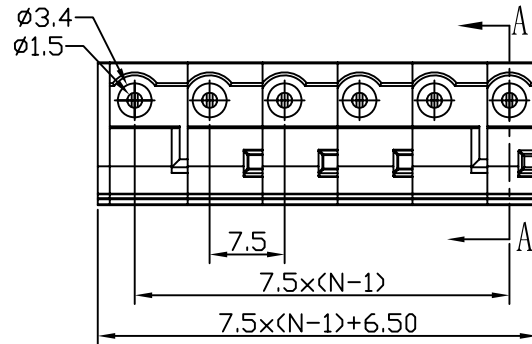


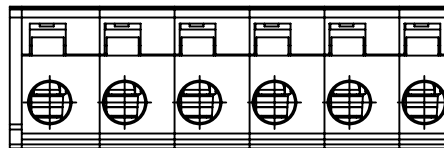
REVISION RECORD					
REV	ECN	DESCRIPTION	DRFT	DATE	
△10-0305		增加VDE, CE刻字及参数	Jordan.Y	09/17/10*	



Notes:

- Pitch: 7.50mm
- Rated voltage/current: UL 300V15A
VDE 320V 20A
- Operation temperatures: -40°C ~ +105°C
- Withstanding Voltage: AC2500V/1Min
- Insulation Resistance: 5000MΩ / DC1000V
- Wire Range: 28~12AWG, 2.5mm²
- Undimensioned Tolerances:

Pitch range in mm	Nominal dimension range in mm						—	
	over 6 to 6	over 10 to 24	over 30 to 60	over 60 to 100	over 100 to 150	over 150		
±0.10	±0.15	±0.25	±0.2	±0.3	±0.5	±0.7	±1	0.05/10



7	8EDGK-CLAMP	1086B00010 (H)	XX	Phosphor Bronze	Tin plated
6	DG242-SPRING	X000000990 (H)	XX	Stainless Steel	
5	8EDGK-7.5 HOUSING-4(边件2)	1125A4101C (H)	1	PA66	UL94V-0
4	8EDGKB-7.5 HOUSING-2(中间件2)	1363A4101C (H)	1, (XX≥3) 0, (XX=2)	PA66	UL94V-0
3	8EDGK-7.5 HOUSING-2(中间件1)	1125A4101A (H)	XX-3, (XX≥4) 0, (XX≤3)	PA66	UL94V-0

2	8EDGKB-7.5 HOUSING-1(边件1)	1363A4101A (H)	1	PA66	UL94V-0
1	8EDGK-5.0 COVER 盖板	1086C4101A (H)	1	PA66	UL94V-0
ITEM	NAME OF PART	NO. OF PART	Q'TY	MATERIAL	NOTES
DETAILED LISTS		DFTD HXG	DATE 10/30/09*	宁波高正电子有限公司 DEGSON ELECTRONICS CO., LTD	
TOLERANCES EXCEPT AS NOTED		CHKD	DATE	NAME	
MFD		APPVL	DATE	8EDGKB-7.5-XXP-11-01A(H)	
MATERIAL		G.E		DRAWING NO. 8EDGKB-7.5-E01	
ANGLES ± 1°		FINISH:		SIZE A4	
THIRD ANGLE PROJECTION		SCALE		REV T1 09/17/10*	
DO NOT SCALE DRAWING				SHEET 1 OF 1	