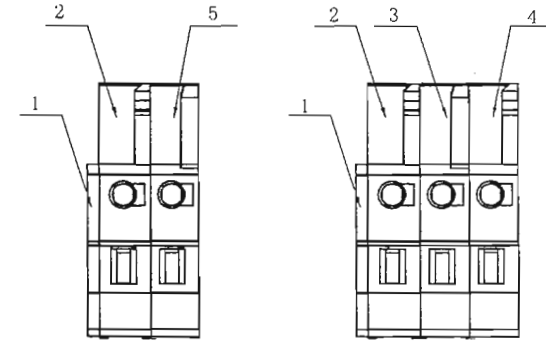
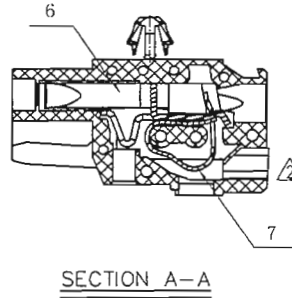
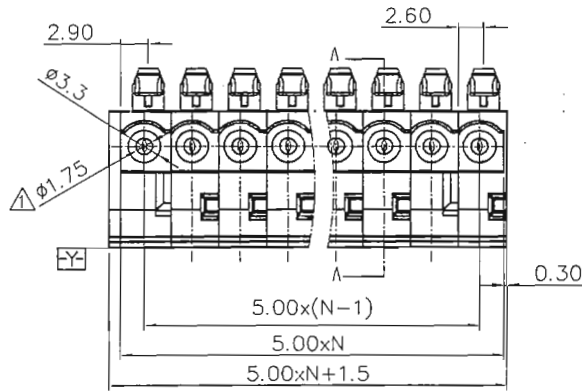


REVISION RECORD				
REV	ECN	DESCRIPTION	DRFT	DATE
△	12-0232	盖板改模刻字修订图面	JEX	10/09' 12
△	14-0269	修订图面	GYZ	08/05' 14
△	15-0120	修订物料公式, 技术要求, 图面修订, 尺寸标注	ZCB	04/01' 15

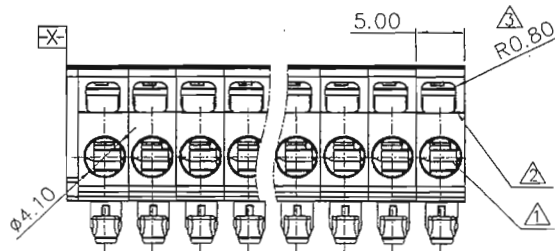
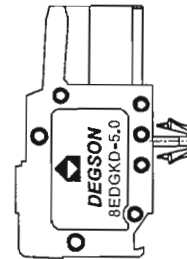
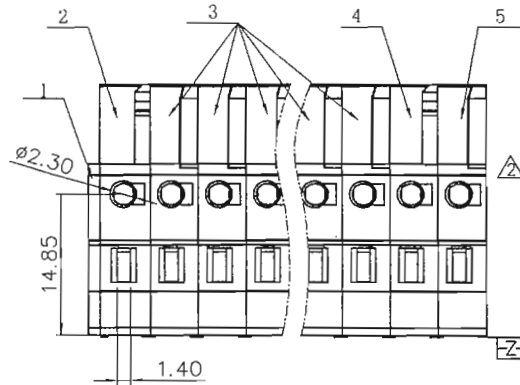
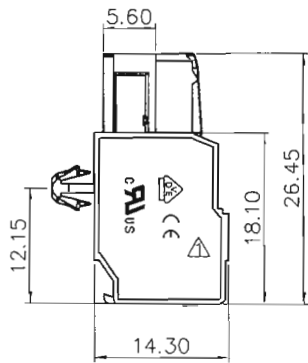


02P

03P

NOTES:

1. DIMENSION SHALL BE INTERPRETED PER ASME Y14.5-2009.
2. PITCH: 5.0MM, POLES: 02-24P
3. RATED VOLTAGE/CURRENT: UL 300V/15A
VDE 320V/20A
4. OPERATION TEMPERATURES: -40°C ~ +105°C
5. RATED IMPULSE VOLTAGE: 4.0KV
6. WIRE RANGE: 22~14AWG, 0.2~2.5MM²
7. UNDIMENSIONED TOLERANCES:



TO	PITCH RANGE IN MM		NOMINAL DIMENSION RANGE IN MM			—
	OVER 6 TO 10	OVER 10 TO 24	OVER 30 TO 60	OVER 60 TO 100	OVER 100 TO 150	
6	±0.10	±0.15	±0.25	±0.20	±0.30	±0.50
10	±0.15	±0.20	±0.25	±0.20	±0.30	±0.50
24	±0.20	±0.25	±0.20	±0.25	±0.30	±0.50
30	±0.25	±0.20	±0.25	±0.20	±0.30	±0.50
60	±0.30	±0.25	±0.25	±0.20	±0.30	±0.50
100	±0.30	±0.25	±0.25	±0.20	±0.30	±0.50
150	±0.30	±0.25	±0.25	±0.20	±0.30	±0.50

ITEM	NAME OF PART	NO. OF PART	Q'TY	MATERIAL	NOTES
2	8EDGKD-5.0-HOUSING (边件1)	1236A4101A(H)	1	PA66	UL94V-0
1	8EDGK-5.0-COVER	1086C4101A(H)	1	PA66	UL94V-0

TOLERANCES EXCEPT AS NOTED		MATERIAL:		DEGSON® 宁波高正电子有限公司	
.X ±	.X' ±	FINISH:		DEGSON ELECTRONICS CO., LTD	
.XX ±	.XX' ±	PART NO.:		NAME:	
.XXX ±	.XXX' ±	APPD: Aaron 4/14/15		8EDGKD-5.0-XXP-11-01A(H)	
ANGLES ± 1°		CHKD: Lea 4/14/15		TITLE: ASSEMBLY DRAWING	
THIRD ANGLE PROJECTION		DRFT: Jordan.Y 09/01/10'		DRAWING NO.: 8EDGKD-5.0-E02	
		DO NOT SCALE DRAWING		SCALE	N/A
		SHEET		1/1	

△	7	6	5	4	3
△	7	DG242-SPRING	X000000990(H)	XX	Stainless Steel
△	6	8EDGK-CLAMP	1086B00010(H)	XX	COPPER Sn plated
△	5	8EDGKD-5.0-HOUSING (边件2)	1236A4101E(H)	0,(XX 3) 1,(XX 2)	PA66 UL94V-0
	4	8EDGKD-5.0-HOUSING (中间件2)	1236A4101D(H)	0,(XX 3) 0,(XX 2)	PA66 UL94V-0
	3	8EDGKD-5.0-HOUSING (中间件1)	1236A4101C(H)	XX-3,(XX 4) XX-2,(XX 3)	PA66 UL94V-0